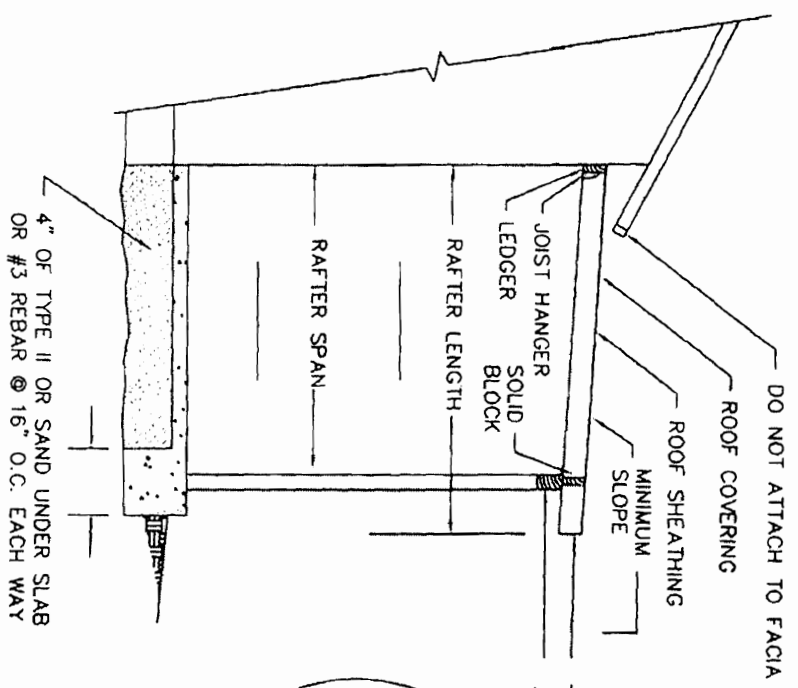
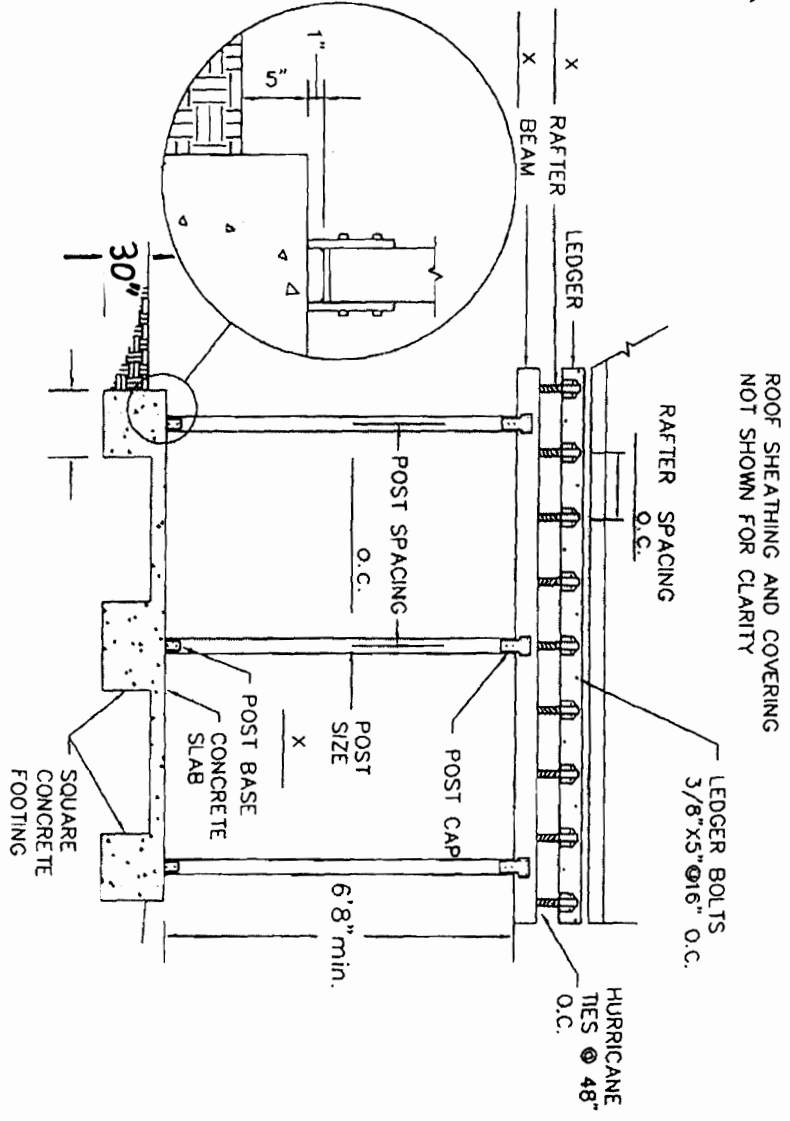


NOTE: MINIMUM SLOPE WILL BE DEPENDENT ON THE ROOF COVERING MATERIALS SELECTED
 ** THIS HANDOUT IS NOT INTENDED FOR THE CONSTRUCTION OF DECKS OR BALCONIES



SIDE VIEW



FRONT VIEW

SPECIAL PROVISIONS:

Patio Cover / Carport



City of Salina, Building Services Division
 City-County Bldg, 300 W. Ash, Room 201
 Phone: 785-309-5715
building.services@salina.org
www.salina-ks.gov

RAFTER SPAN

Using Douglas Fir #2 Grading Agency WMPA, WCLIB

Size	Spacing	Tile Roofing Max. Span
2x4	12"	10'-2"
	16"	8'-9"
	24"	7'-2"
2x6	12"	14'-10"
	16"	12'-10"
	24"	10'-6"
2x8	12"	18'-9"
	16"	16'-3"
	24"	13'-3"
2x10	12"	22'-11"
	16"	19'-10"
	24"	16'-3"

BEAM SIZE

Using Douglas Fir #2 Grading Agency WMPA, WCLIB
Rafter Span with 1'-6" Overhang

Post Spacing	8'	9'	10'	11'	12'	13'	14'	15'
8'	4X6							
9'			4X8					
10'								
11'				4X10				
12'					4X12			
13'								
14'								4X14
15'								

SQUARE FOOTING SIZE IN INCHES

Post Spacing	Rafter Span with 1'-6" Overhang														
	8	9	10	11	12	13	14	15	16	18	18	18	20	20	24
8	14	16	16	16	16	18	18	18	18	20	20	20	20	20	24
9	16	16	16	16	18	18	18	20	20	20	20	20	20	20	24
10	16	18	18	18	18	20	20	20	20	20	20	20	20	20	24
11	18	18	18	18	20	20	20	20	20	20	20	20	20	20	24
12	18	18	20	20	20	20	20	20	20	20	20	20	20	20	24
13	18	20	20	20	20	20	20	20	20	20	20	20	20	20	24
14	20	20	20	20	20	20	20	20	20	20	20	20	20	20	24
15	20	20	20	20	20	20	20	20	20	20	20	20	20	20	24

Dimension: _____ X _____ Ledger Size: _____ X _____
 Rafter Size: _____ X _____ Spacing: _____ o/c
 Post Size: _____ X _____ Spacing: _____ o/c
 Beam Size: _____ X _____ Rafter Span: _____
 Footing Size: _____ X _____
 Roof Sheathing: _____
 Roof Covering: _____
 Roof Pitch: _____

Design Live Load 20 psf
 Roof Dead Load 20 psf for tile
 Live Load Deflection L/360, Max Soil Bearing Pressure 1000 psf

Owner's Name: _____
 Address: _____



Patio Cover / Carport

City of Salina, Building Services Division
 City-County Bldg, 300 W. Ash, Room 201
 Phone: 785-309-5715
 building_services@salina.org
 www.salina-ks.gov