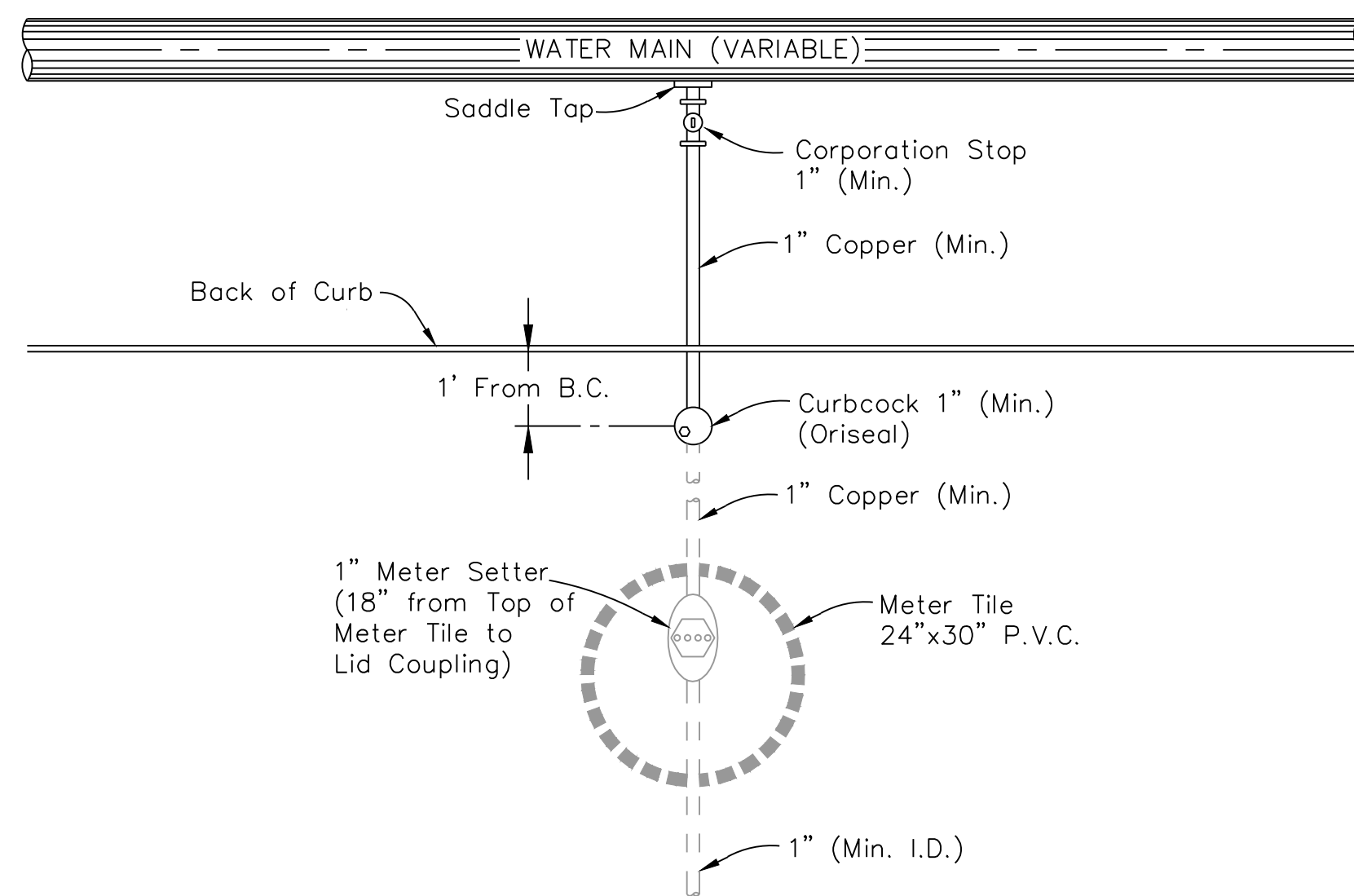
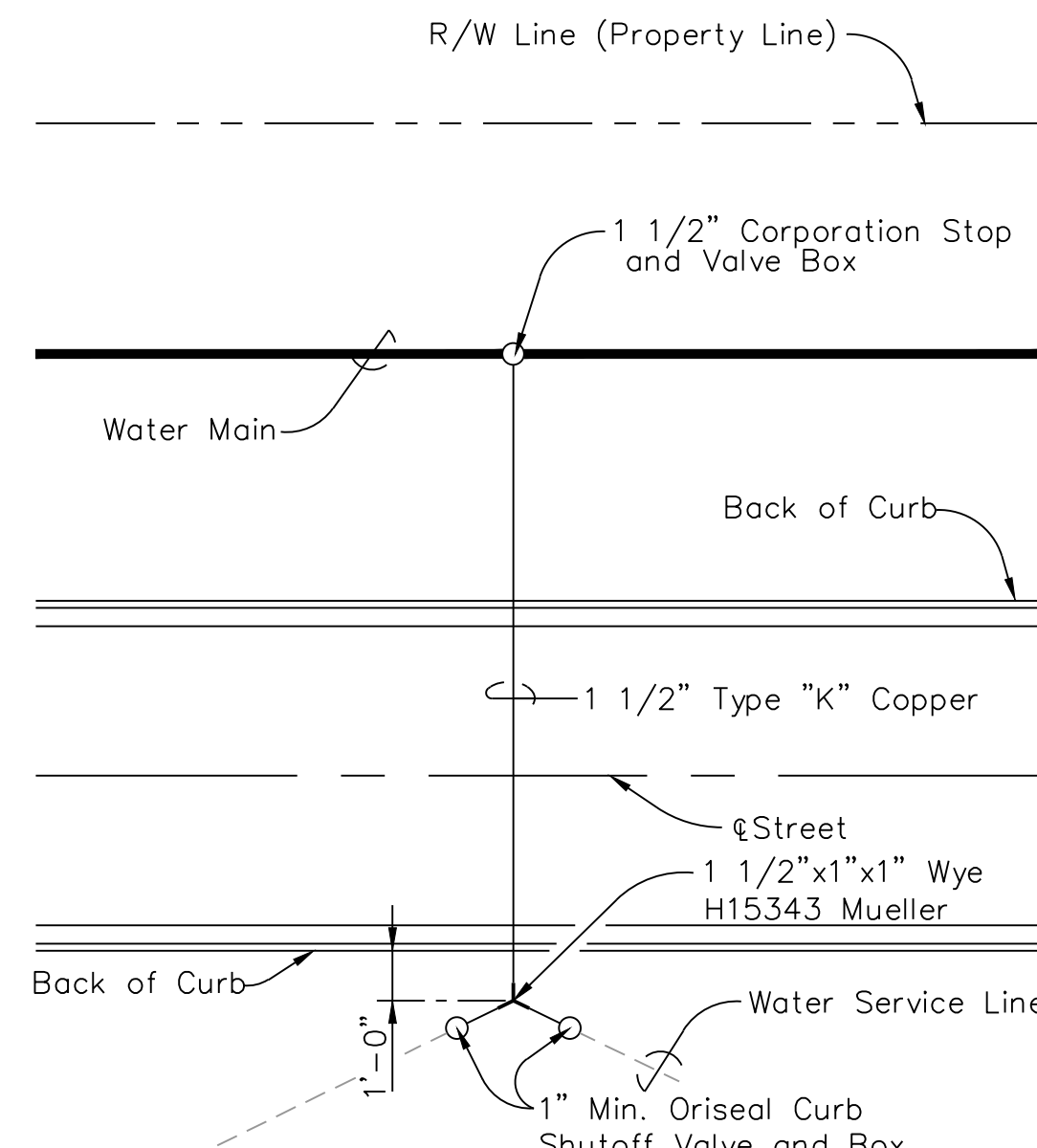


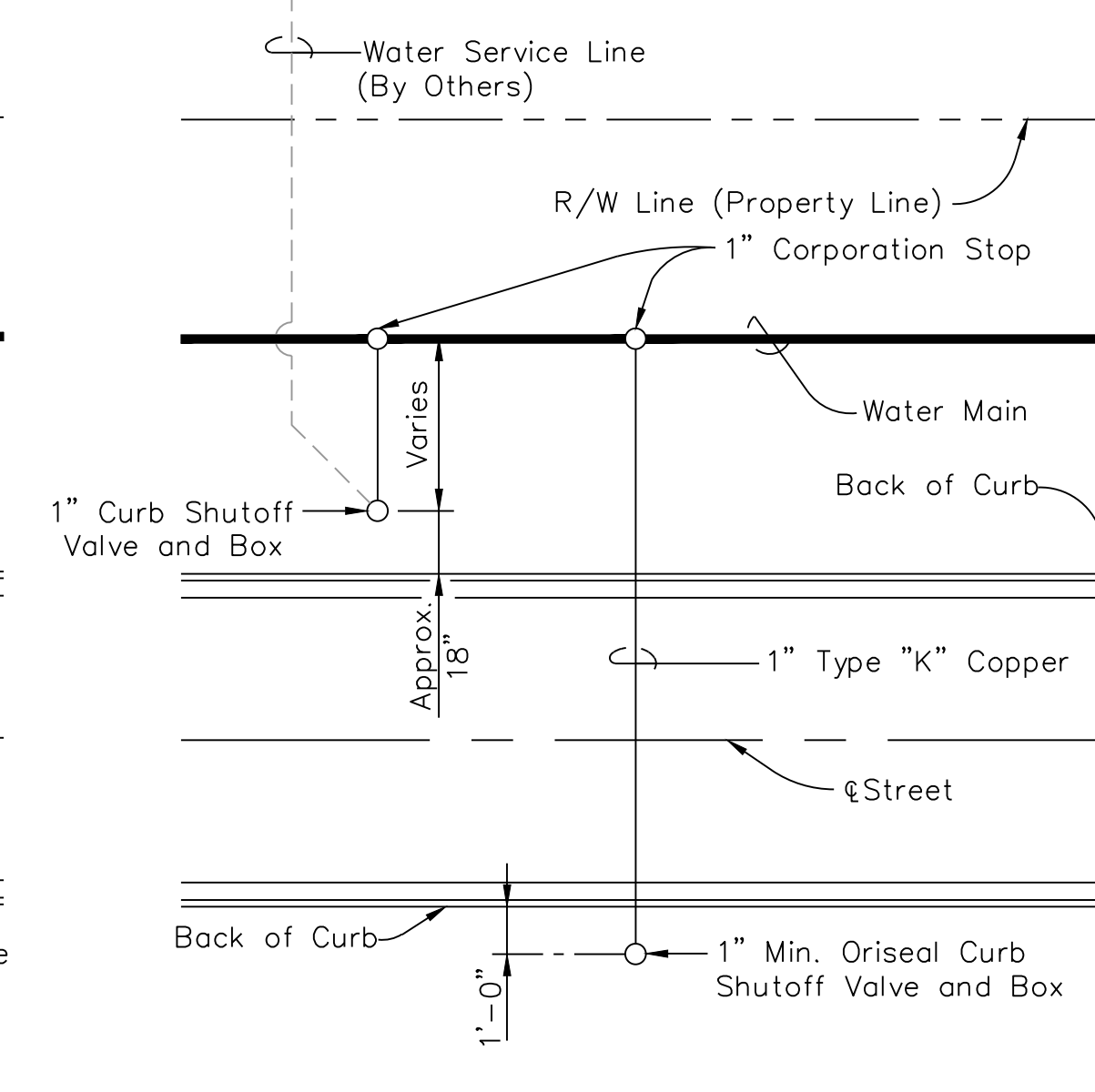
STANDARD FOR 5/8" & 3/4" METER SETTINGS
Not to Scale



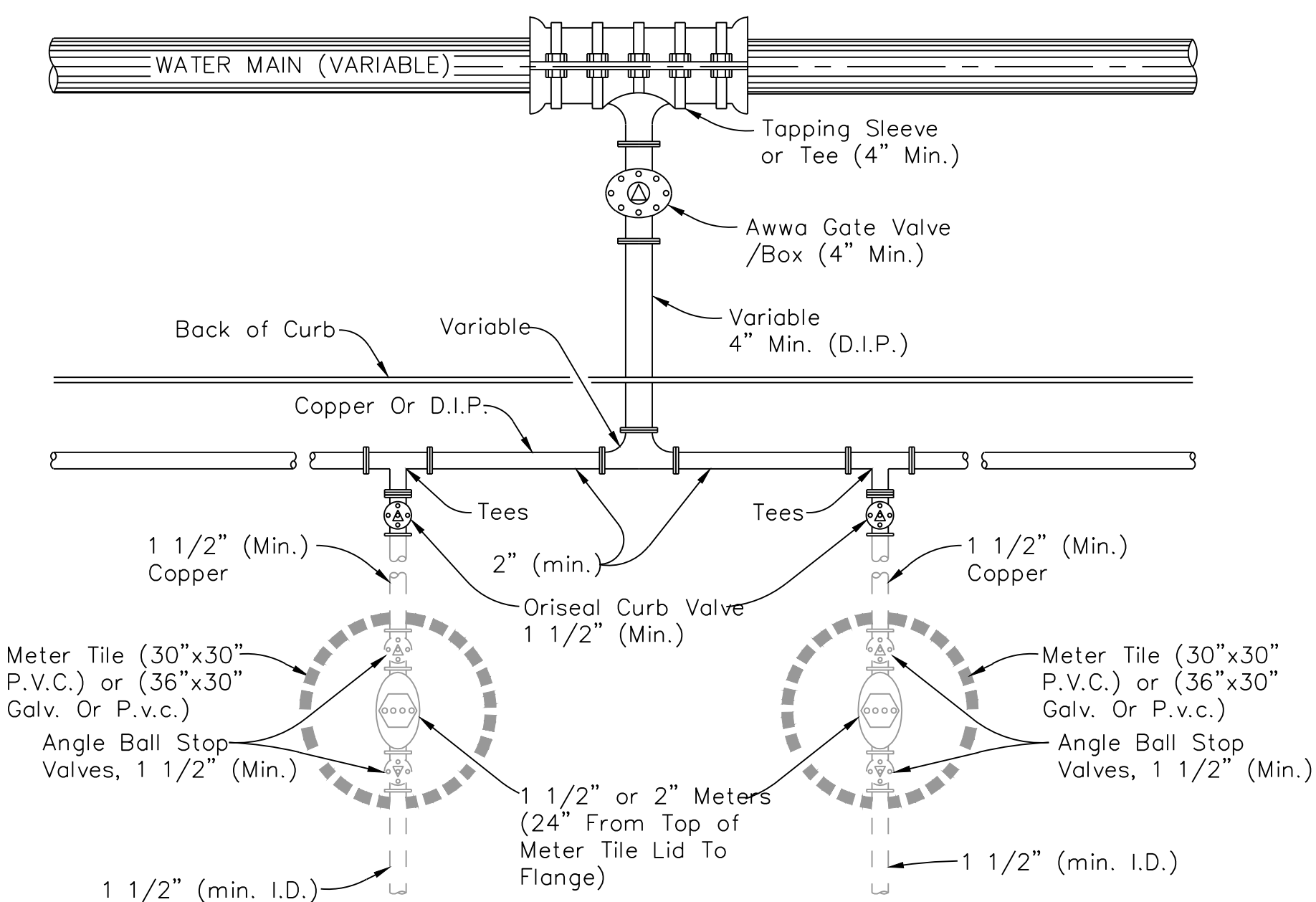
STANDARD FOR 1" METER SETTINGS
Not to Scale



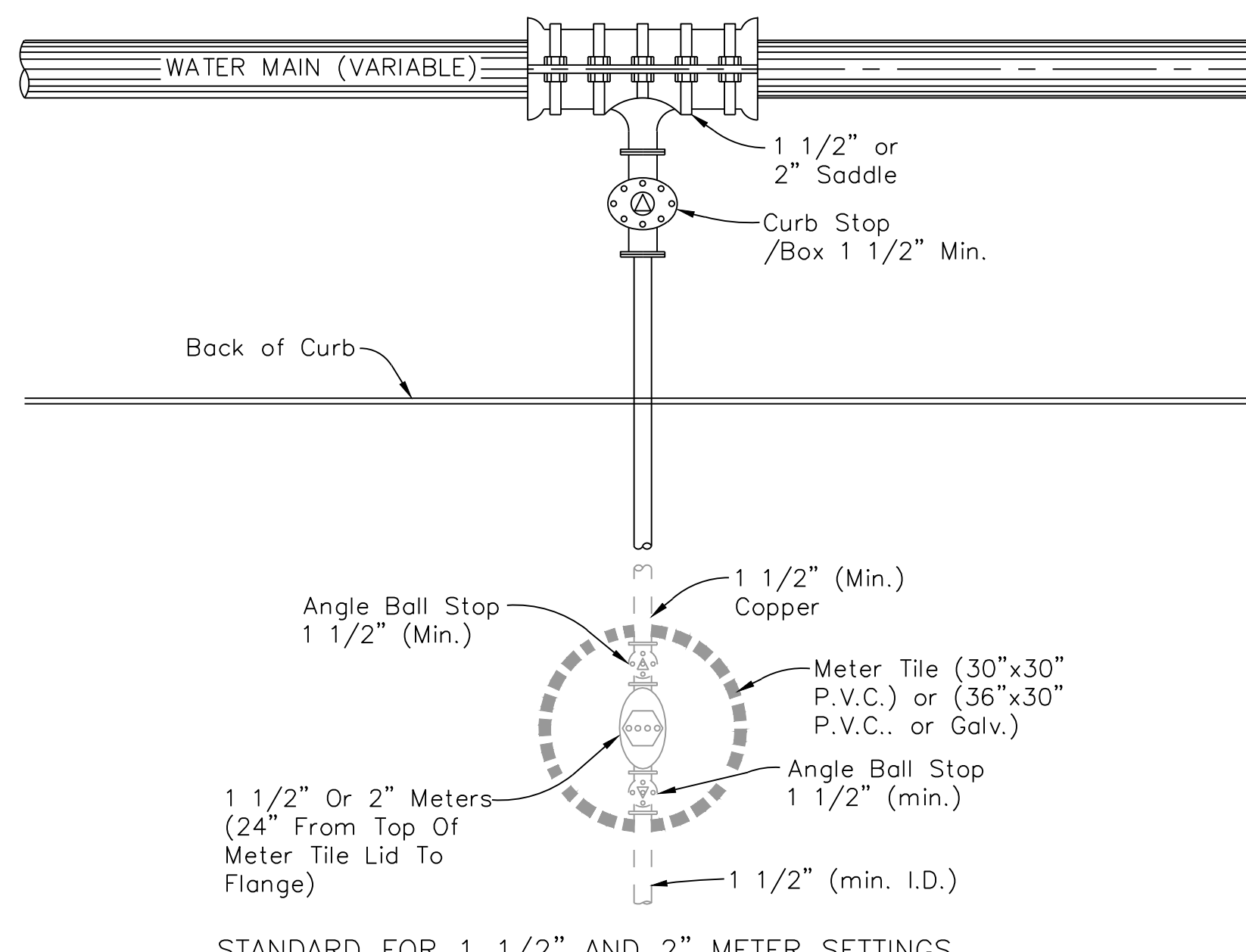
TYPICAL 1 1/2" WATER SERVICE
Not to Scale



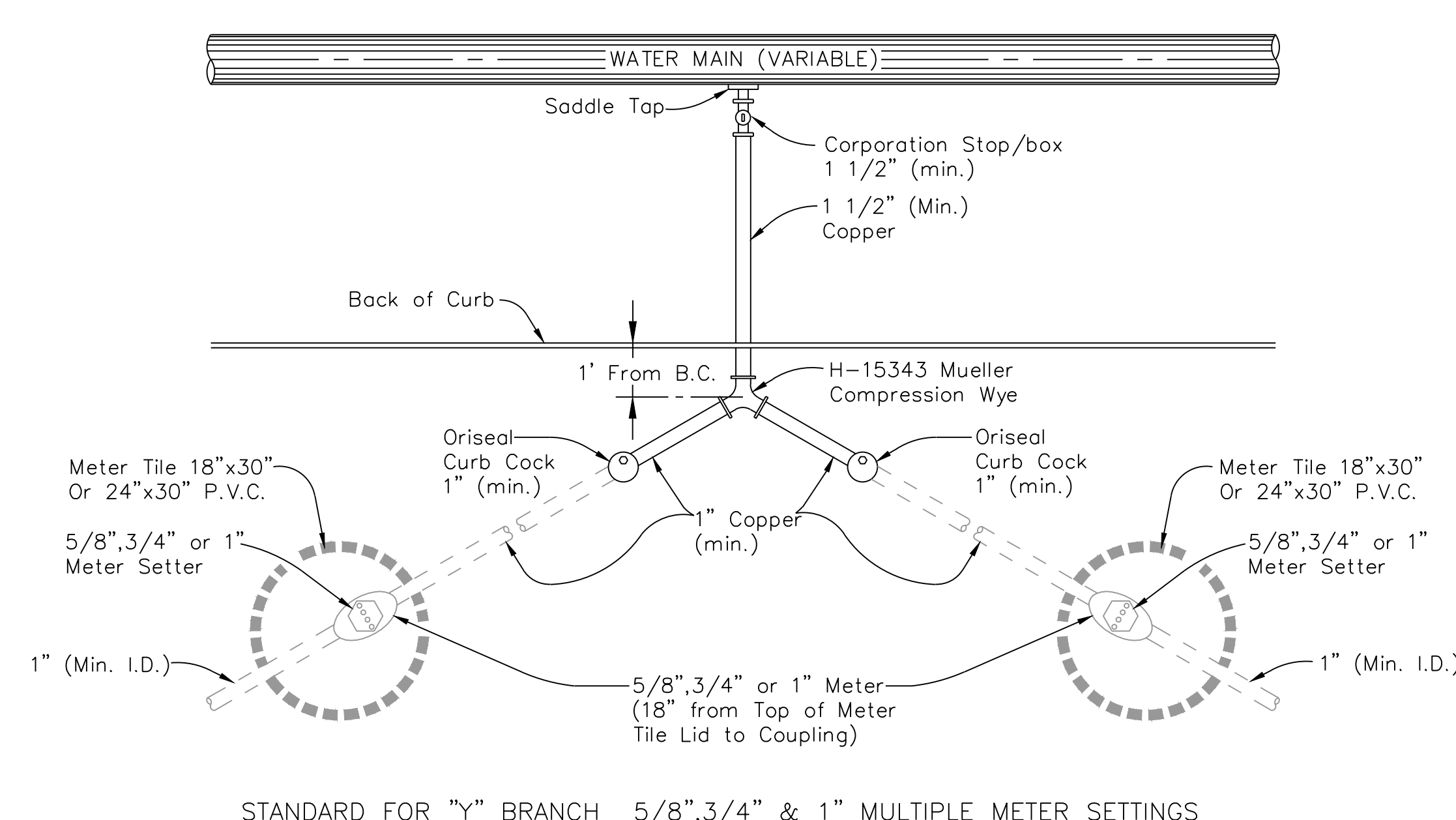
TYPICAL 1" WATER SERVICE
Not to Scale



STANDARD FOR 1 1/2" AND 2" MULTIPLE METER SETTINGS
Not to Scale



STANDARD FOR 1 1/2" AND 2" METER SETTINGS
Not to Scale



STANDARD FOR "Y" BRANCH 5/8", 3/4" & 1" MULTIPLE METER SETTINGS
Not to Scale

Note: All Curb Shut-off Valves Shall be Mueller Cat. No. H-15201.

CITY OF SALINA, KANSAS
PUBLIC WORKS - ENGINEERING - UTILITIES

STANDARD DETAILS
WATER SERVICE DETAILS

DATE: Sep 2009	SCALE: Not to Scale	SHEET: BY: DWK
-------------------	------------------------	-------------------

FILENAME: 12_Water_Service_Details.dwg