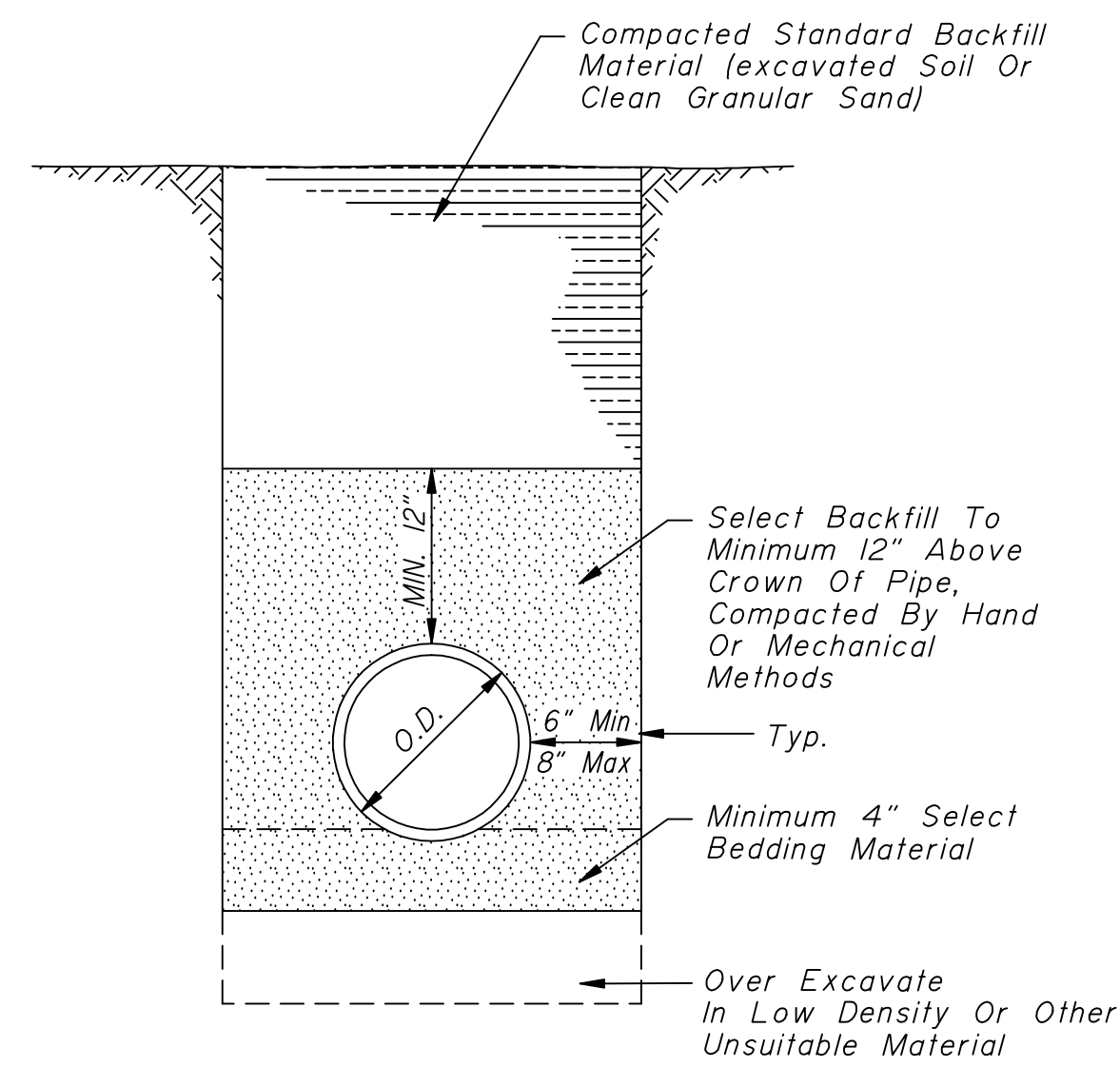
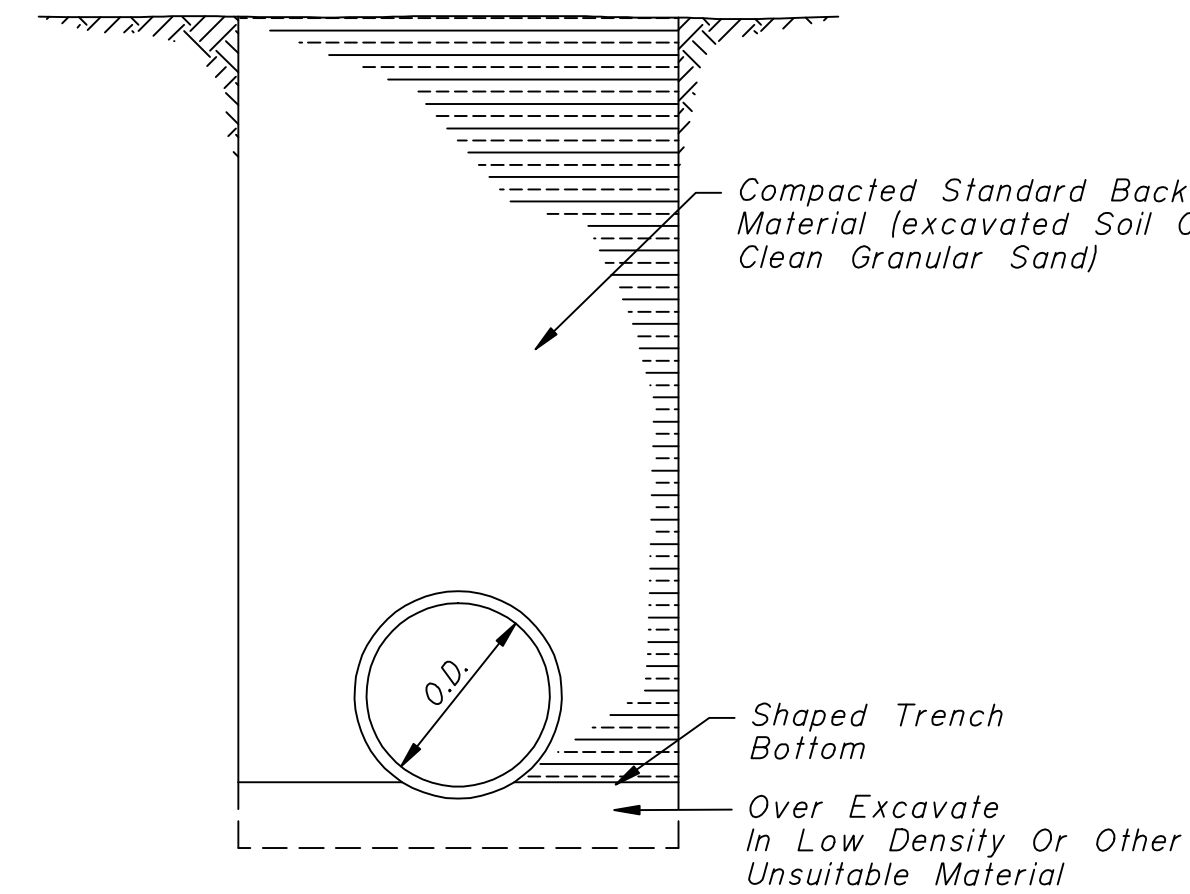


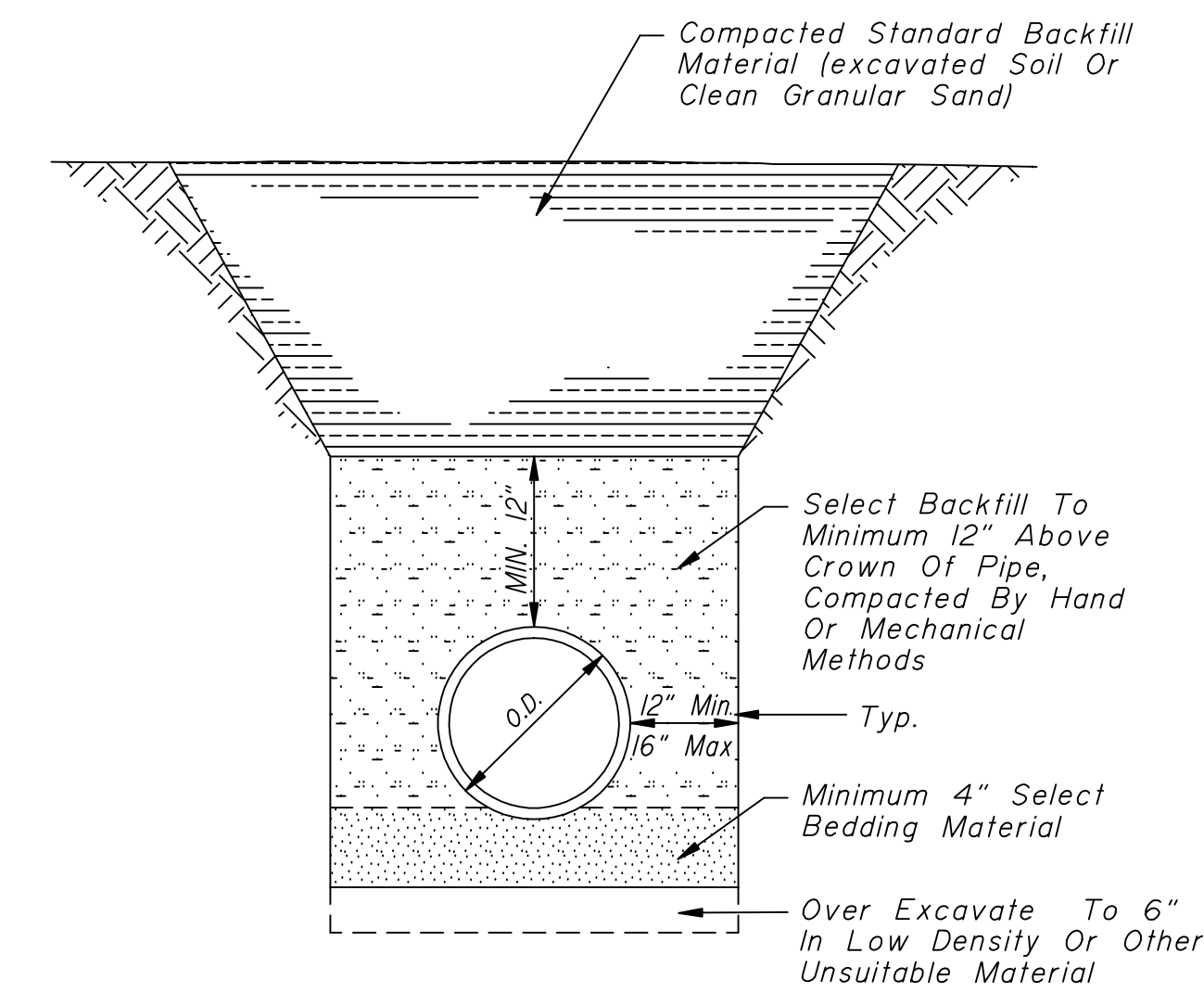
TYPICAL TRENCH
(except Under Pavement)
PVC FORCE MAIN SEWER PIPE
PVC WATER PIPE
Not To Scale



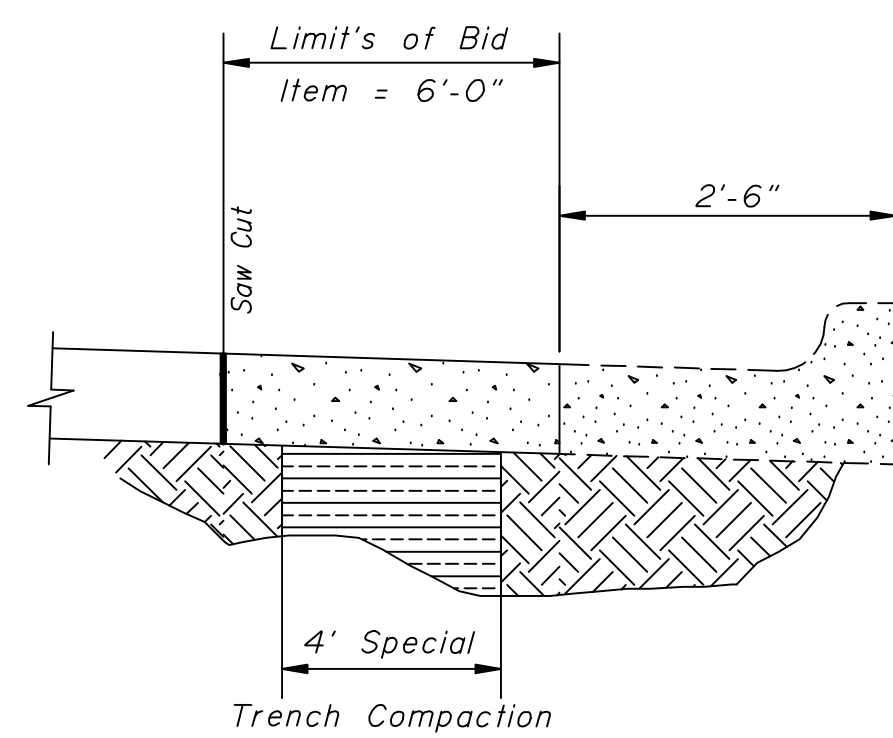
TYPICAL TRENCH
(except Under Pavement)
PVC GRAVITY SEWER PIPE
Not To Scale



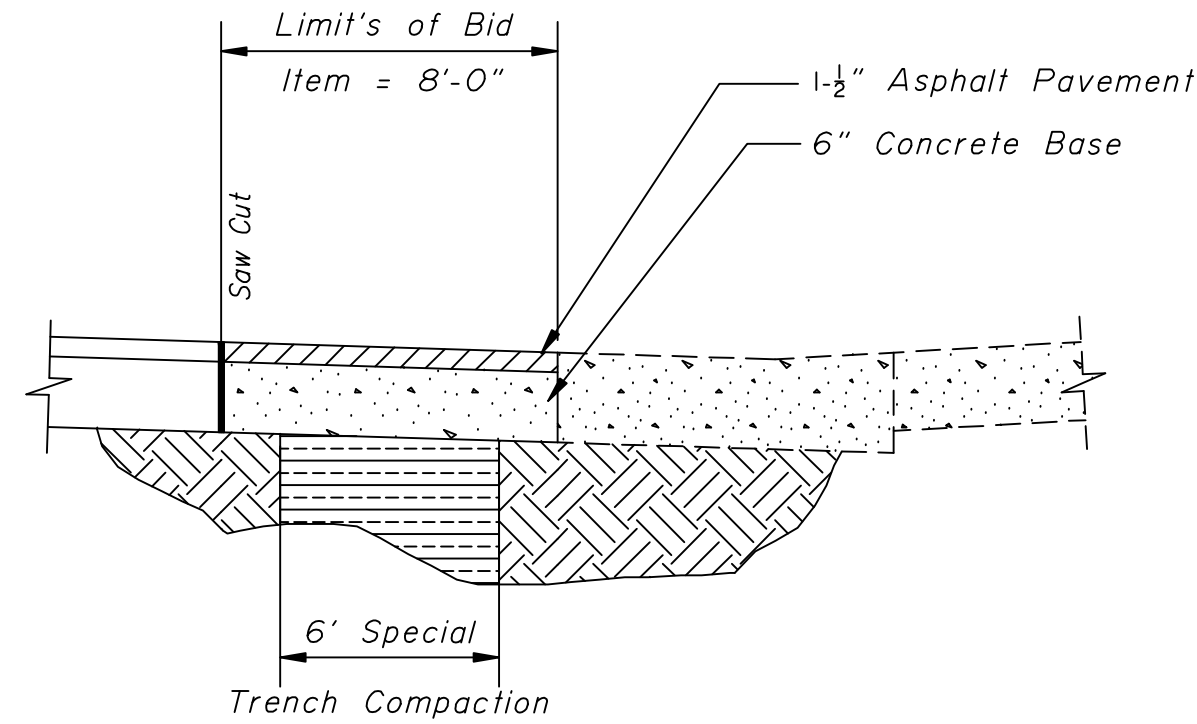
TYPICAL TRENCH
(except Under Pavement)
VITRIFIED CLAY GRAVITY SEWER PIPE
DUCTILE IRON WATER PIPE
DUCTILE IRON SEWER PIPE
Not To Scale



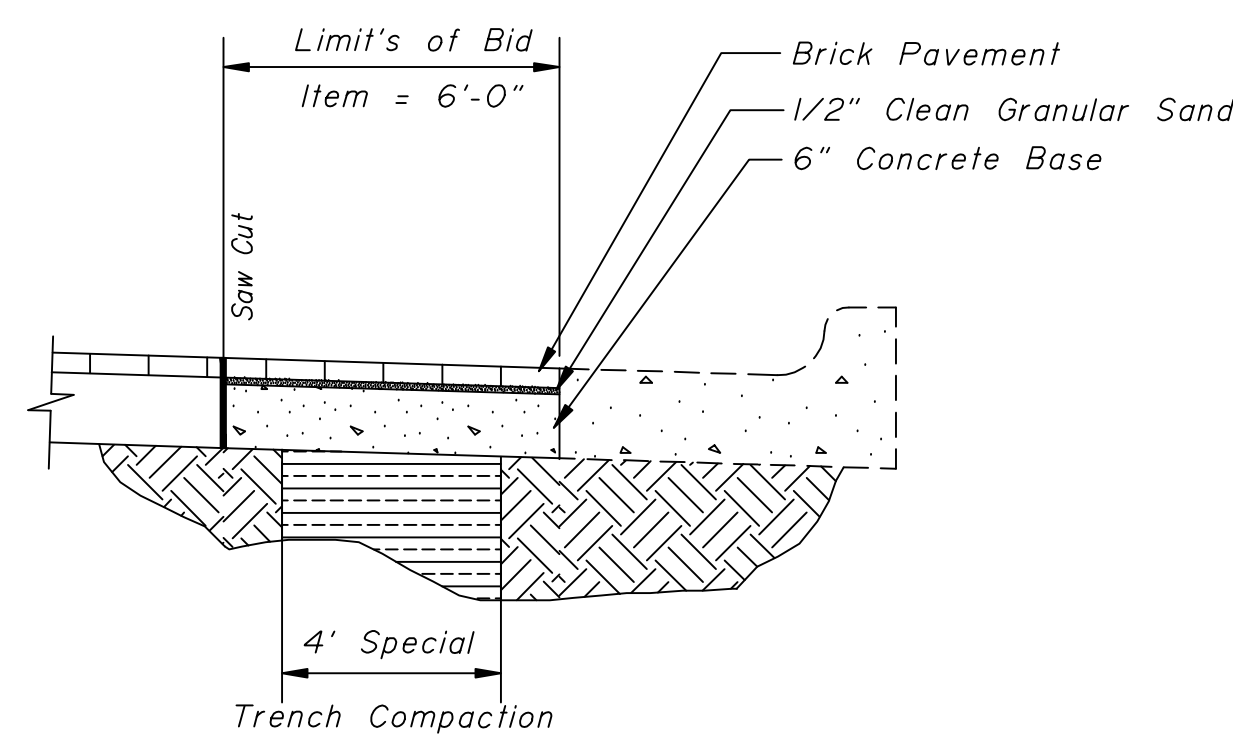
TYPICAL TRENCH OVER 20' IN TOTAL DEPTH
(except Under Pavement)
VITRIFIED CLAY GRAVITY SEWER PIPE
Not To Scale



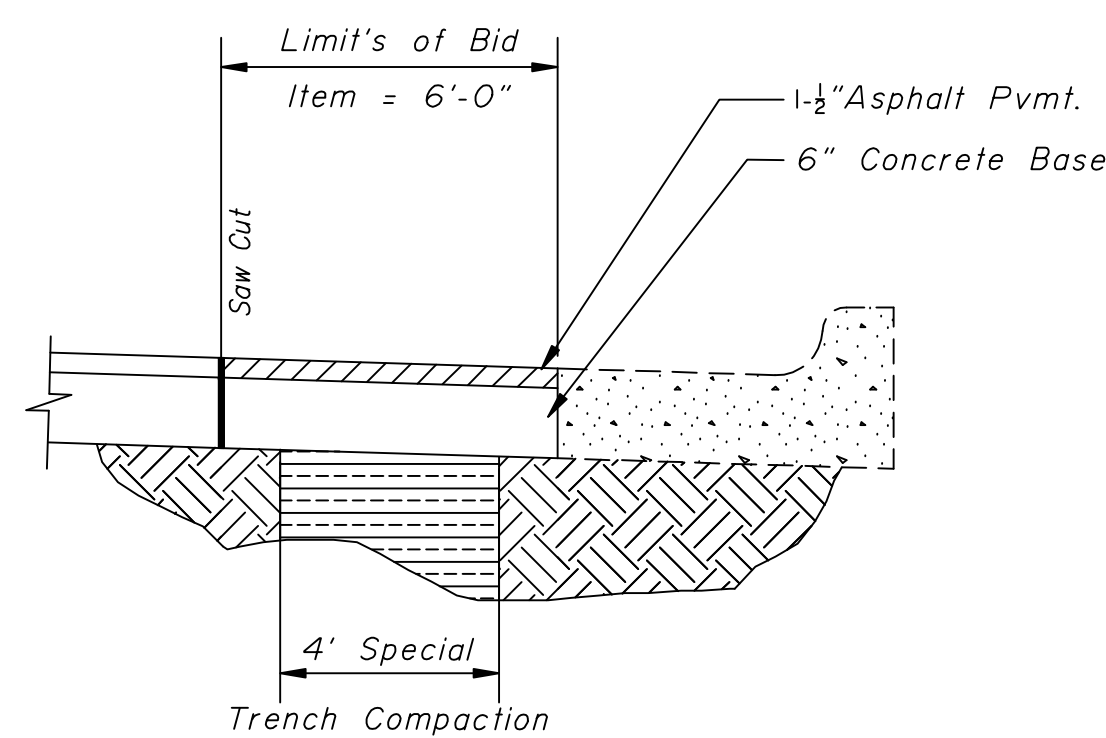
CONCRETE PAVEMENT REMOVAL DETAIL



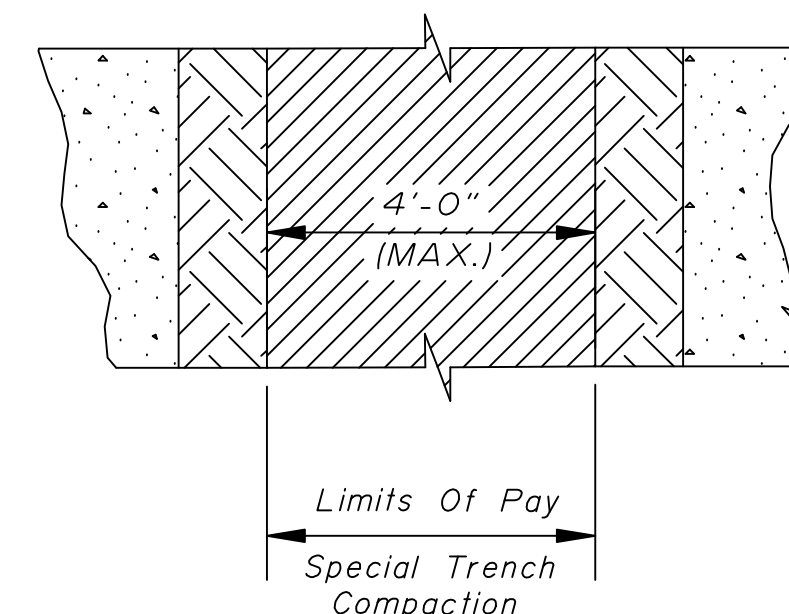
CUSTOMER'S DRIVE REMOVAL DETAIL



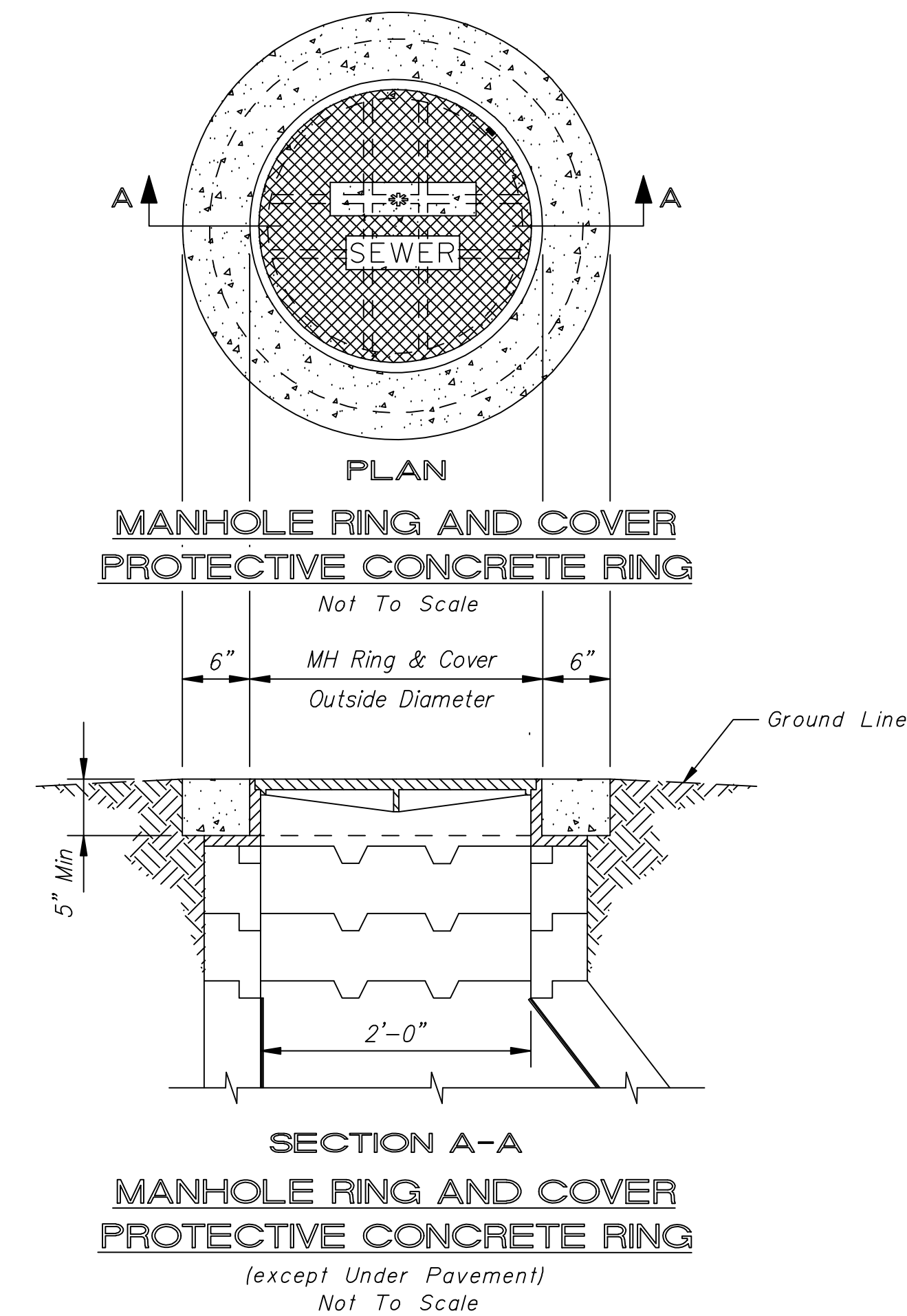
BRICK PAVEMENT REMOVAL DETAIL



ASPHALT PAVEMENT REMOVAL DETAIL



SPECIAL TRENCH COMPACTION DETAILS



SECTION A-A
MANHOLE RING AND COVER
PROTECTIVE CONCRETE RING
(except Under Pavement)
Not To Scale

UTILITY PATCH DETAILS
Not To Scale

- GENERAL NOTES:**
1. All structures within roadway shall be backfilled with excavatable flowable fill mix, 95%.
 2. All utility patches within roadway shall be backfilled with excavatable flowable fill mix or suitable material, 95%.

PROJECT TITLE:								CITY OF SALINA Dept. of Public Works Engineering Division				DESIGN:	DATE:	PROJ. NO.:	SCALE: Not To Scale
STANDARD DETAILS- MISCELLANEOUS UTILITIES DETAILS								500 WEST ASH SALINA, KANSAS 67401 PH: 785.309.5725 FAX: 785.309.5713				DRAWN:	FILENAME:		SHEET: OF:
NO.	REVISIONS	DATE	BY	NO.	REVISIONS	DATE	BY	6 FEB 2005							