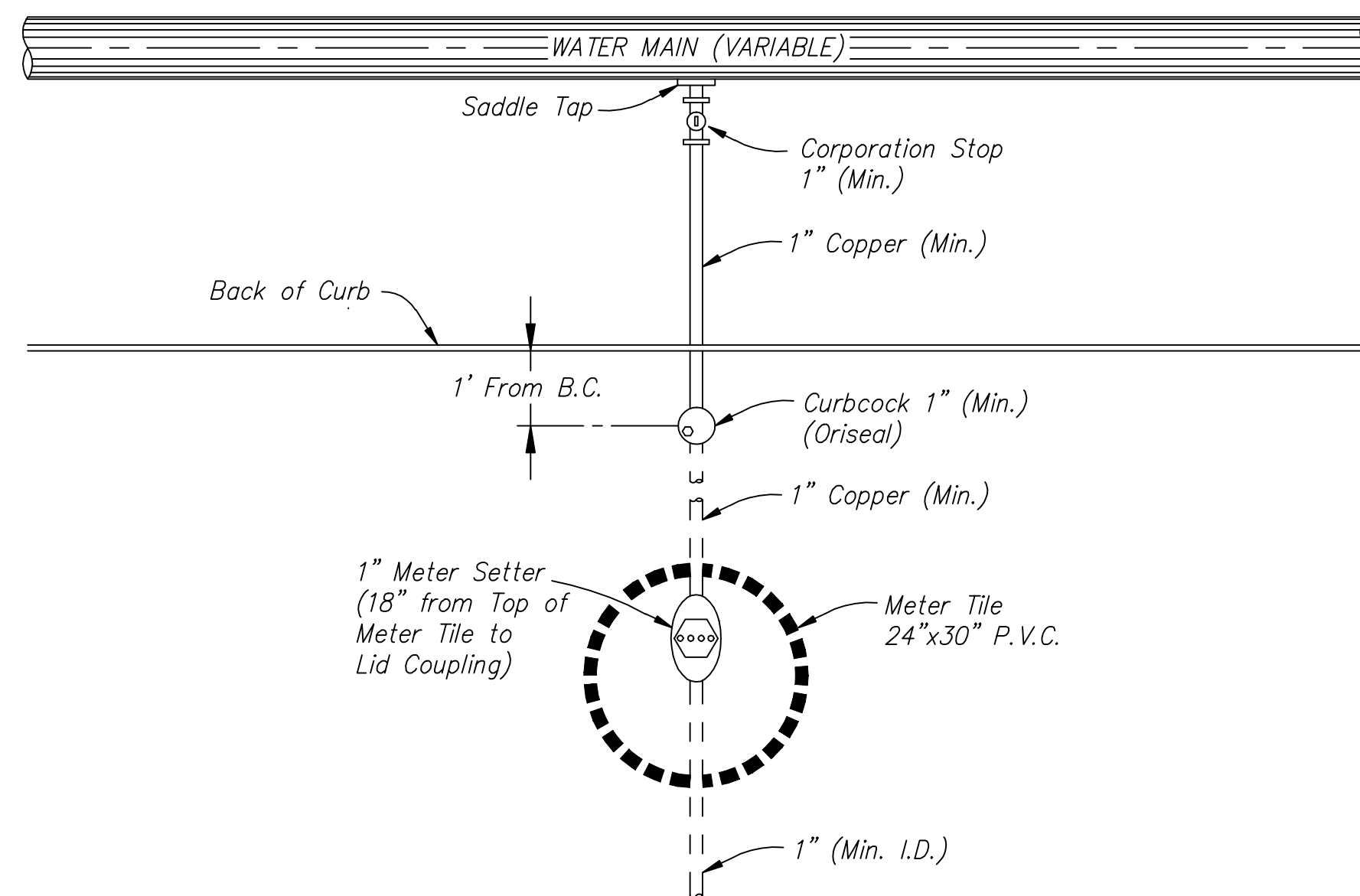
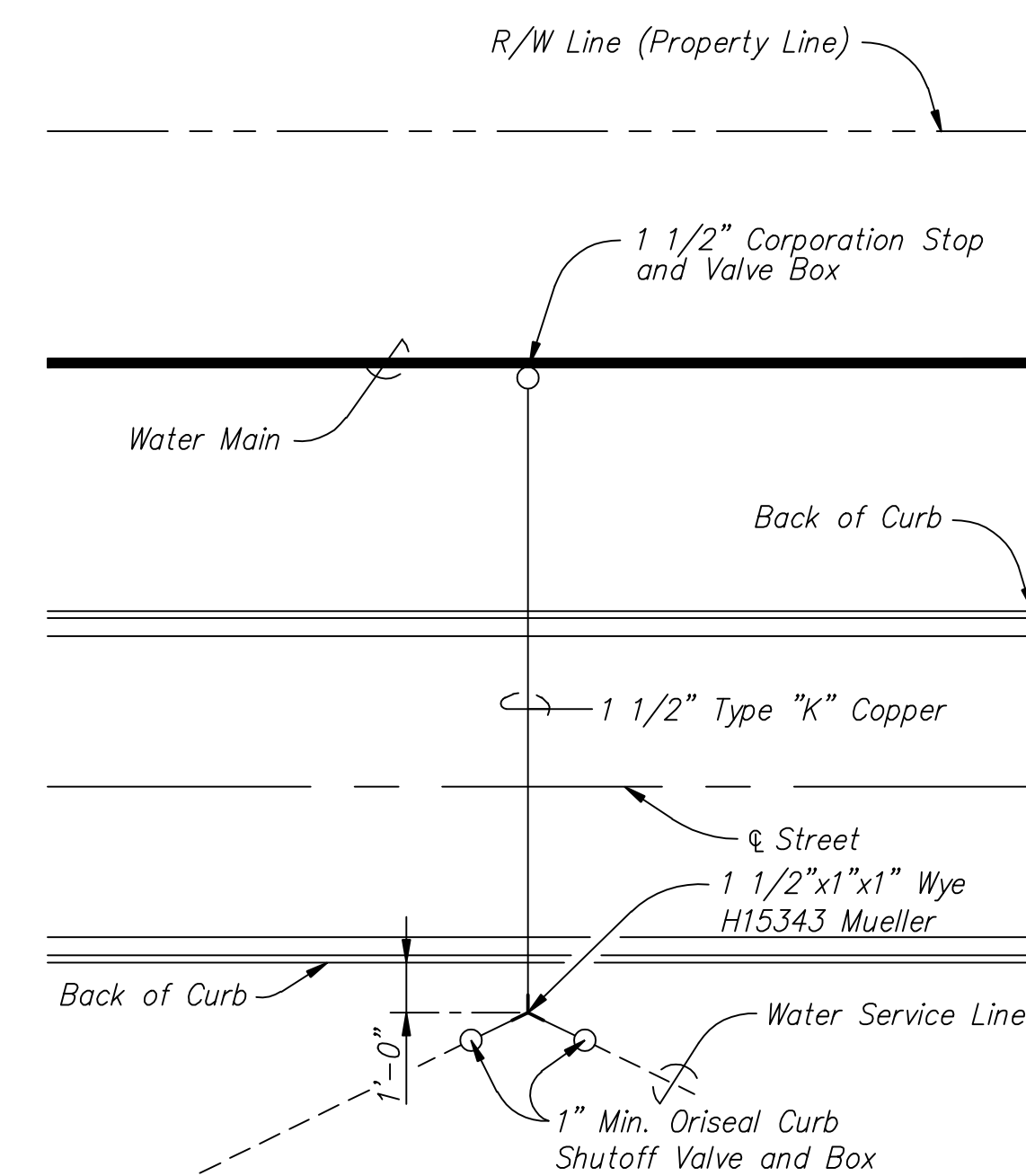


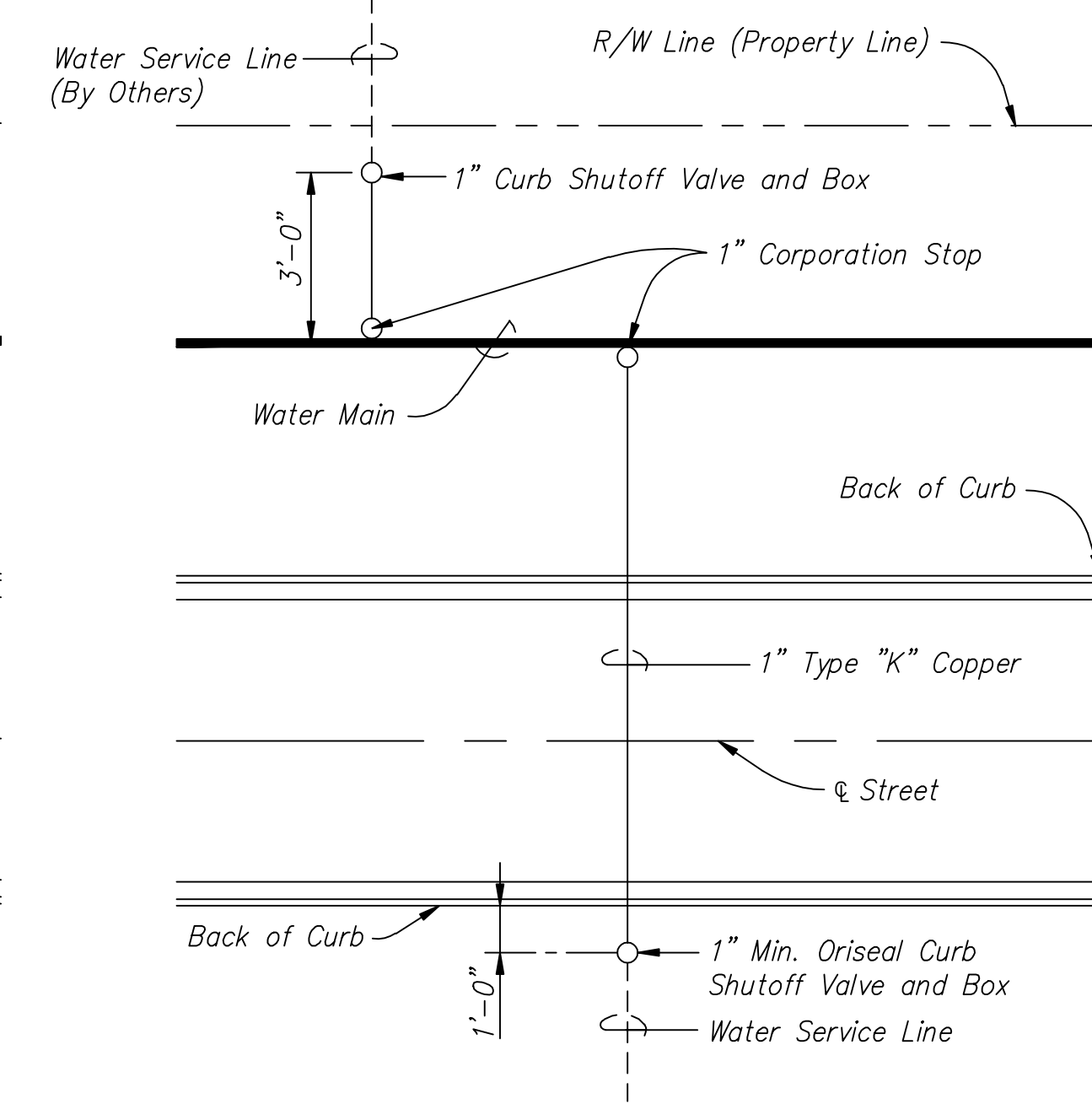
STANDARD FOR 5/8" & 3/4" METER SETTINGS
Not to Scale



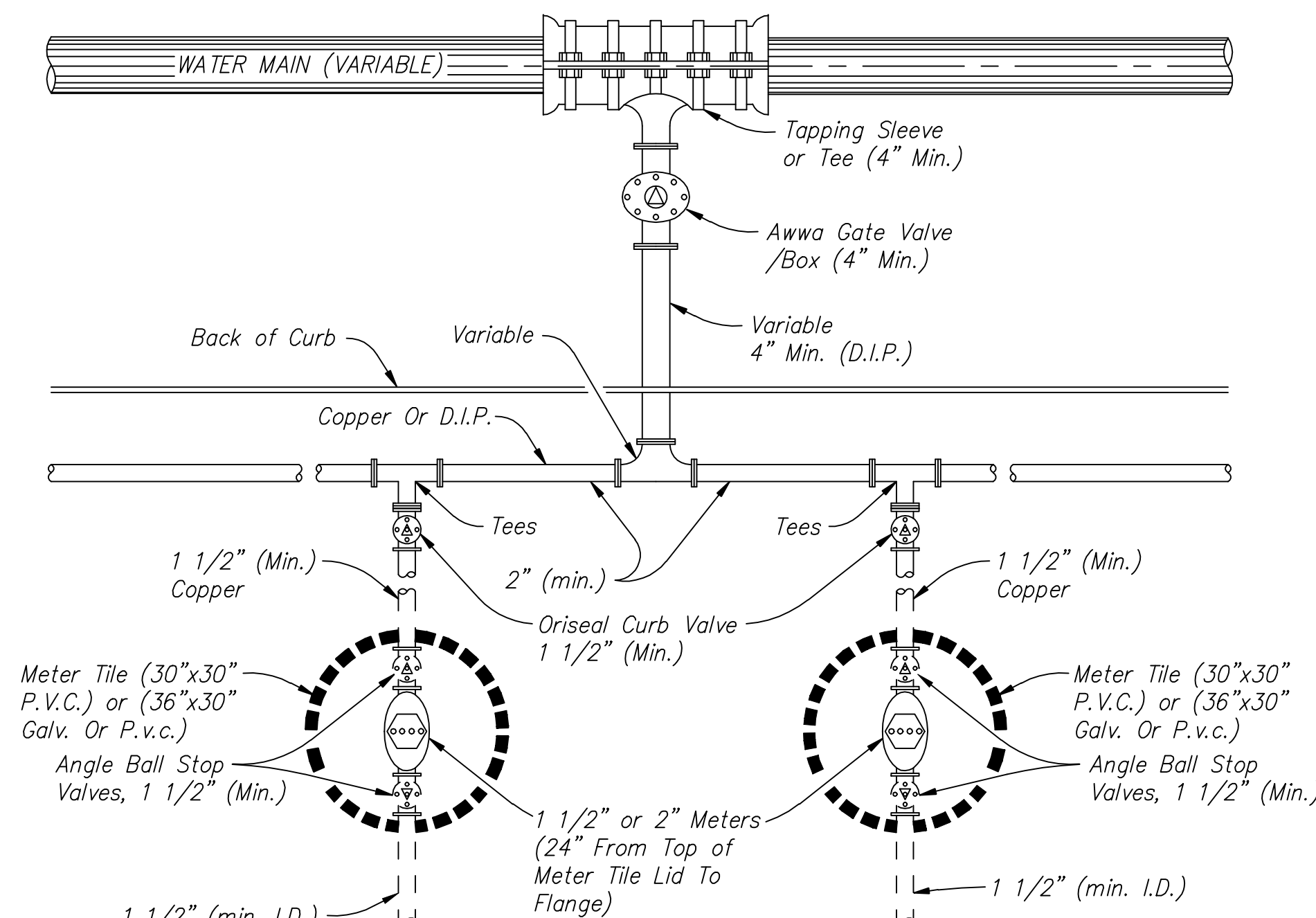
STANDARD FOR 1" METER SETTINGS
Not to Scale



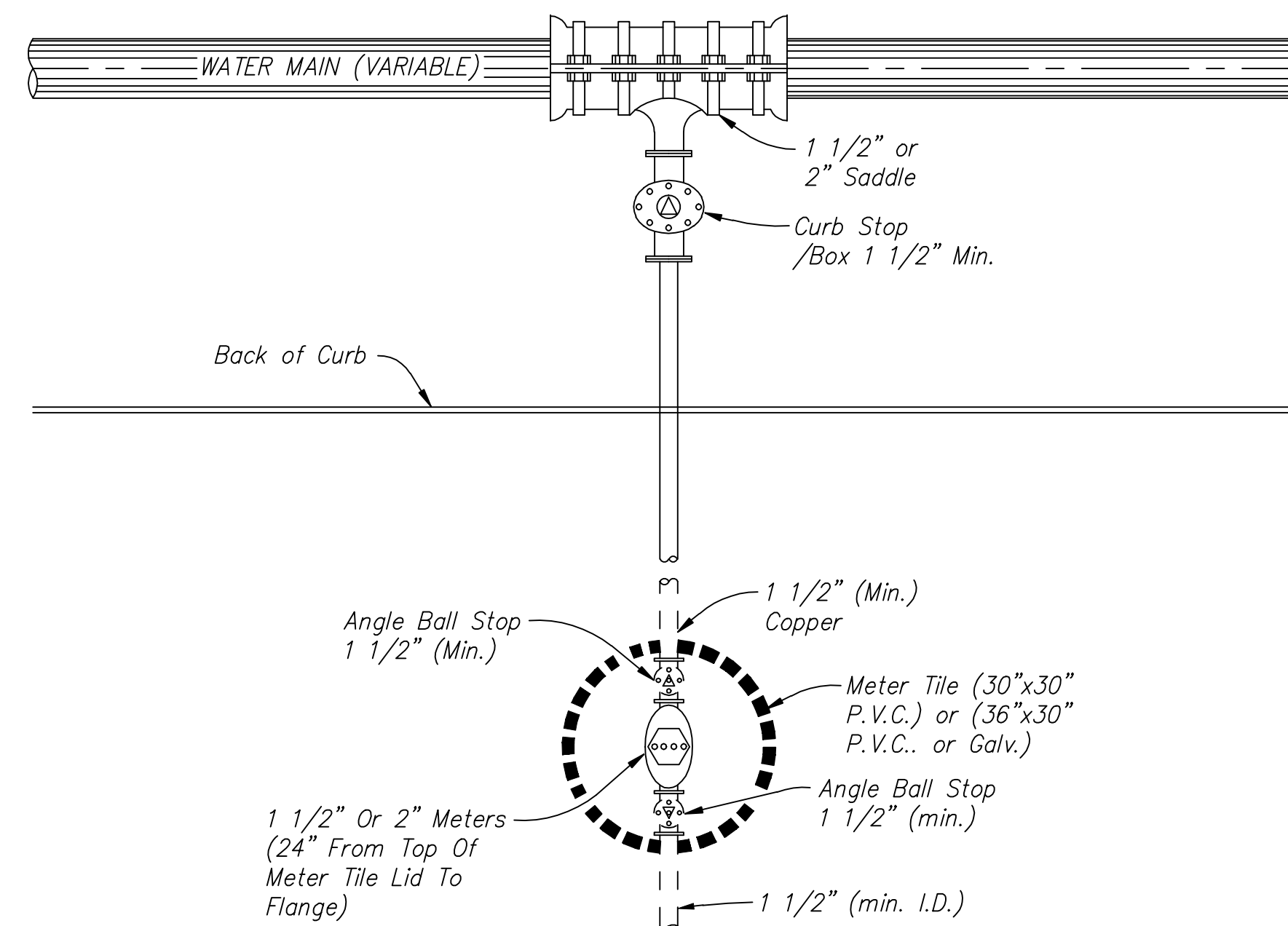
TYPICAL 1 1/2" WATER SERVICE
Not to Scale



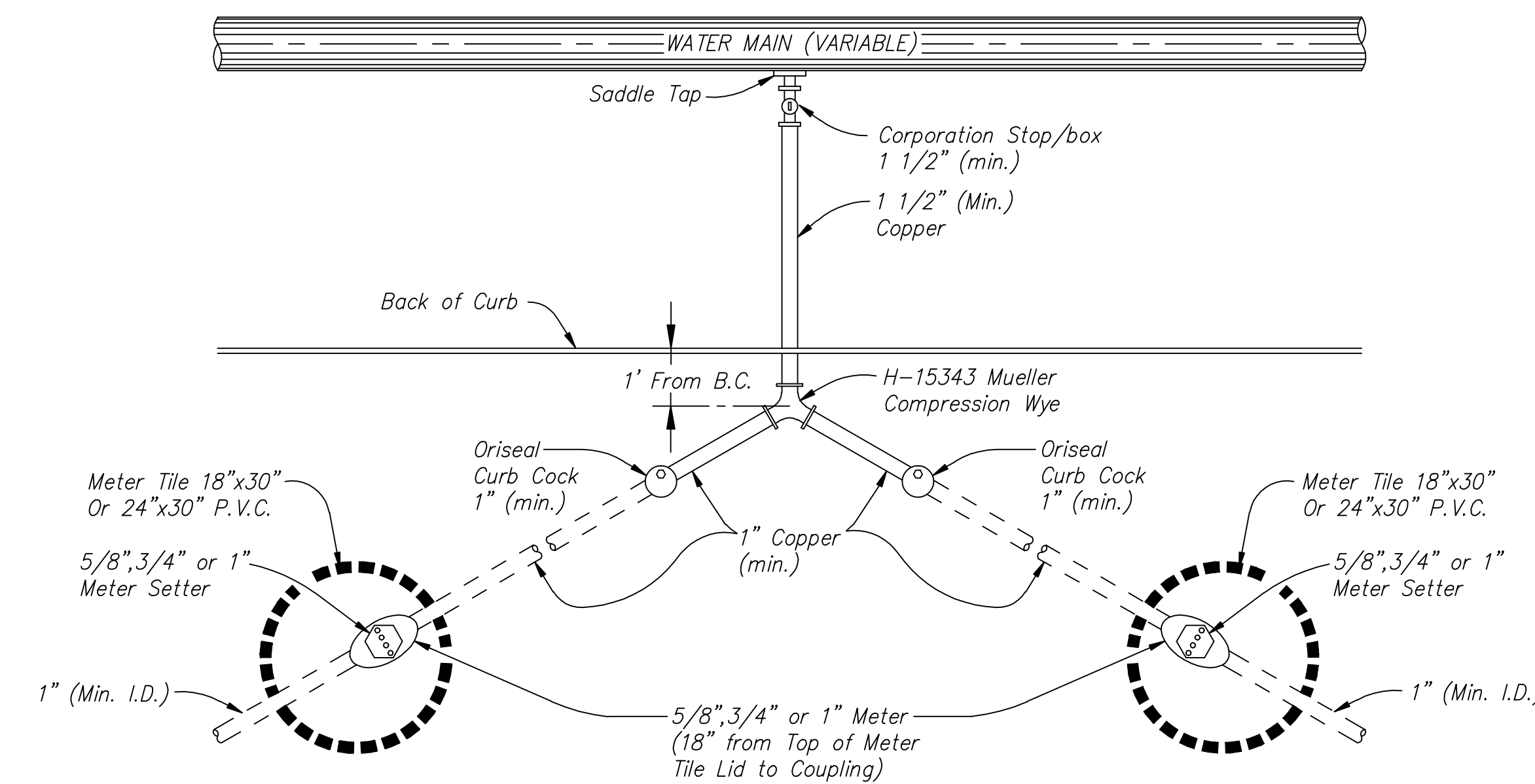
TYPICAL 1" WATER SERVICE
Not to Scale



STANDARD FOR 1 1/2" AND 2" MULTIPLE METER SETTINGS
Not to Scale



STANDARD FOR 1 1/2" AND 2" METER SETTINGS
Not to Scale



STANDARD FOR "Y" BRANCH 5/8", 3/4" & 1" MULTIPLE METER SETTINGS
Not to Scale

Note: All Curb Shut-off Valves Shall be Mueller Cat. No. H-15201.

NO.	REVISIONS	DATE	BY

NO.	REVISIONS	DATE	BY

PROJECT TITLE:
FEB 8, 2005

STANDARD DETAILS - WATER SERVICE

CITY OF SALINA Dept. of Public Works Engineering Division 300 WEST ASH SALINA, KANSAS 67401 PH: 785.309.5725 FAX: 785.309.5713	DESIGN:	DATE:	PROJ. NO.:	SCALE:
	DRAWN:	FILENAME:		Not to Scale SHEET: OF