



Updated: October 14, 2021

TO: Area Plumbing Contractors
FROM: Martha Tasker, Director of Utilities
SUBJECT: Water Meter Setting Standards
Approved Materials List
Recommended Irrigation Details

Attached to this memo are standard drawings showing details of corporation stops, curb cocks, meter tiles, meter setters, meter box covers, meter adaptor extension rings, valves, roadway boxes, placement of meter boxes/lids in pavement, etc. This revised set of standards supersedes previous Meter Settings Standards, dated October 13, 2014.

RESIDENTIAL WATER METERS

- ◆ All new residential meter setter/pits to be located in City right-of-way or in a utility easement.
- ◆ The City Water Utility Division shall be responsible for installing piping from the curb stop to the meter setter/pit.
- ◆ Before the new water service is turned on the customer shall pay a new meter pit and set fee per the current City of Salina Comprehensive Fee Schedule to Building Services as part of the building permit fee for the new residences.
- ◆ The City Water Utility Division shall coordinate the location of the meter pit with the customer.
- ◆ The plumbing inspector for the City shall approve all plumbing on the private property served by the water service line prior to the service being turned on.

COMMERCIAL/INDUSTRIAL WATER METERS

All commercial/industrial meter settings shall be located outside the building in City right-of-way or in a utility easement, unless approved by the Director of Utilities for inside meter set.

- ◆ Inside meter setters and multiple meter settings shall be approved by the Director of Utilities prior to installation. When a meter is located inside the building, copper or ductile iron waterline must be installed from the building to the curb stop. Plastic piping will not be allowed in front of the meter.
- ◆ Meters can not be installed in locations that are not readily accessible. The meter must not be located in crawl spaces, above ceilings, behind locked doors, etc. Ready access is not available if maintenance or inspection of the meter requires obstacle removal, the use of portable ladders or chairs, panel removal, etc.

There shall be no connection, valves, drains, backflow valves or other attachments located inside the meter pit.

If you have any questions concerning the attached standards or the approved materials listings for the above items, please contact me at (785)309-5725.

Attachments: Approved Materials List
Water Meter Setting Standards
Recommended Irrigation Details

Approved Materials List

ITEM AND STOCK NUMBERS

CURB AND ROADWAY VALVE BOXES

Tyler 6500 Series	92-C 93-D 93-E 95-E	30" - 39" curb box 36" - 48" curb box 36" - 54" curb box 41" - 64" curb box
Tyler 6500 Series	152-Ext.	16" curb box extension
Trumbull	T-374 GCI	2 ½" curb box repair lid
Bingham & Taylor (1-1/2" & 2" curb stop)	142-Q 142-R 143-R 144-R 144-RR	24" - 30" roadway box 27" - 39" roadway box 34" - 38" roadway box 39" - 54" roadway box 39" - 60" roadway box
Tyler 6850 Series	564S	Main line valve box

METER TILES

SDR 51	24"X 30"	PVC meter tile
Mid-States	36"X 30"	Galvanized or PVC meter tile

METER TILE – LIDS AND EXTENSION RINGS

Tyler	6150 – TR	18" Ring & lid, TR, B/L
SIP Industries Ford	6471 Ext-1	18" X 24" meter tile adaptor ring
SIP Industries Ford	6472 Ext-3	18" X 30" meter tile adaptor ring
SIP Industries	6470	18" X 36" meter tile adaptor ring
Mueller	790438	18" X 36" meter tile adaptor ring
Mueller	700098	Meter Box frame for 18" lid – concrete
Mueller	780113	18" TR lid w/side lock-pent - concrete

OUTSIDE METER SETTERS AND RESETTERS

Mueller Ford AY McDonald	B-2474N VB84W-44-44-Q-NL Series 731	1" mtr cplg x 1" comp setter w/size adaptors as necessary
--------------------------------	-------------------------------------------	--------------------------------------------------------------

CURB VALVES

Mueller Mueller	H-10291N H-15176N	1" IPF Oriseal curb valve 1" IPF Oriseal curb valve
--------------------	----------------------	--------------------------------------------------------

COMPRESSION FITTINGS

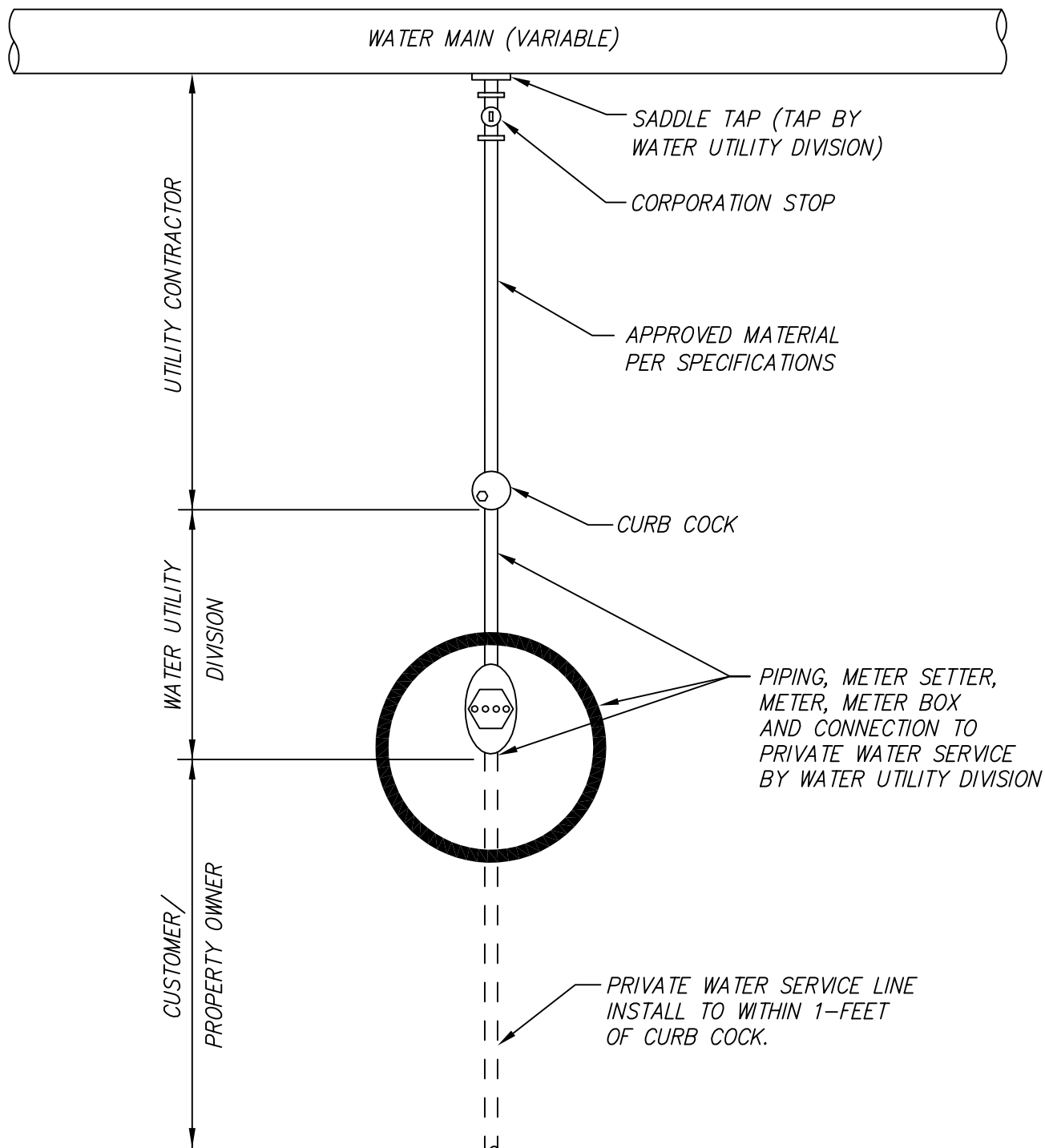
Mueller Ford AY McDonald	110-Compression C-44-44Q Q-McQuick	CTS Compression Fitting CTS Compression Fitting CTS Compression Fitting
--------------------------------	------------------------------------------	-------------------------------------------------------------------------------

TAPPING SLEEVES

Mueller Smith-Blair Ford	H-340 663, 665 FTSS	Stainless steel tapping sleeve Stainless steel tapping sleeve Stainless steel tapping sleeve
--------------------------------	---------------------------	----------------------------------------------------------------------------------------------------

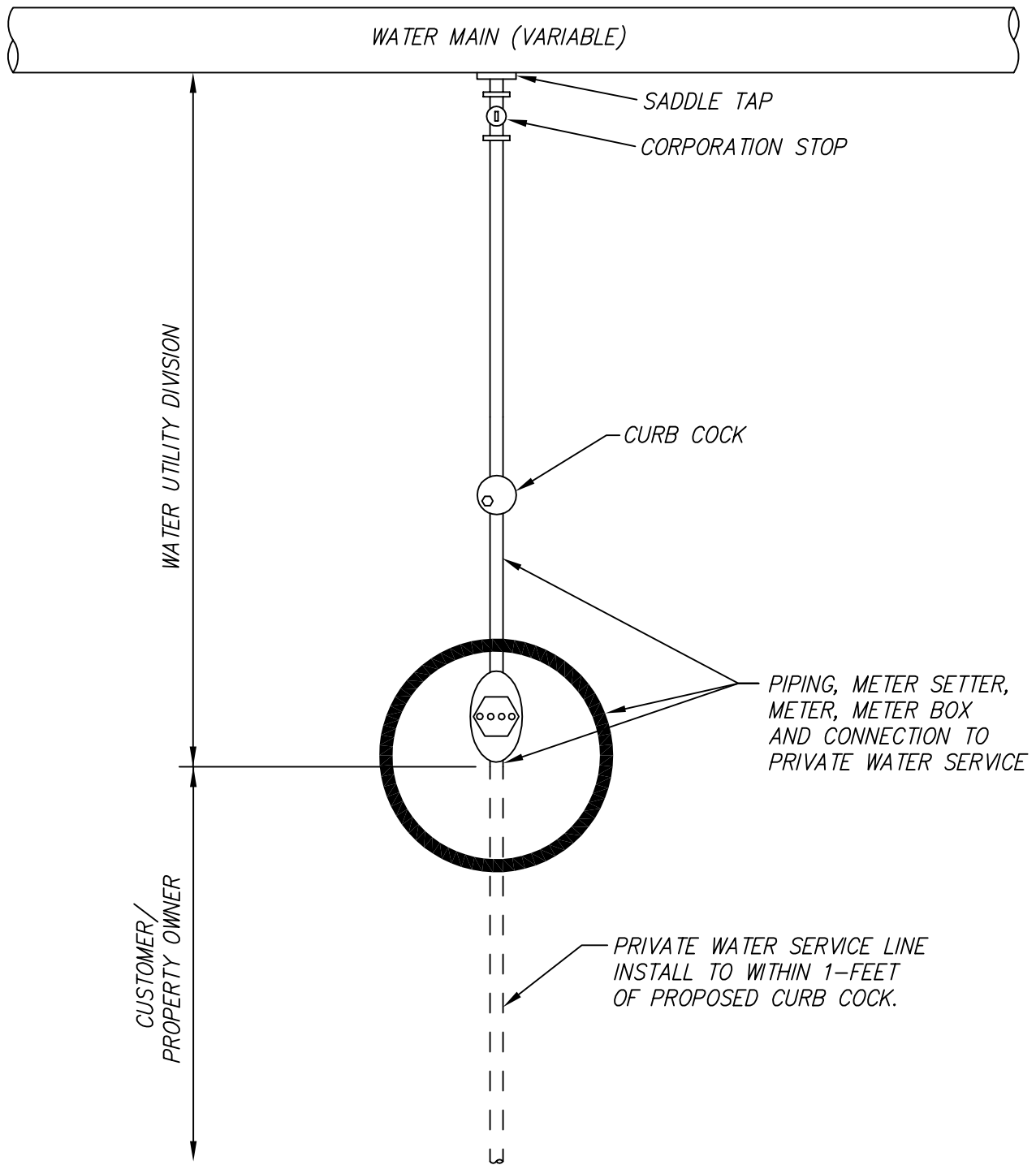
TAPPING VALVES / MAIN LINE ISOLATION VALVES

Mueller AVK American Flow Control Clow	Iron Body AWWA C509 or C515 Iron Body AWWA C509 or C515 Iron Body AWWA C509 or C515 Iron Body AWWA C509 or C515	Resilient Wedge Gate Valve Resilient Wedge Gate Valve Resilient Wedge Gate Valve Resilient Wedge Gate Valve
-------------------------------------------------	--------------------------------------------------------------------------------------------------------------------------	----------------------------------------------------------------------------------------------------------------------



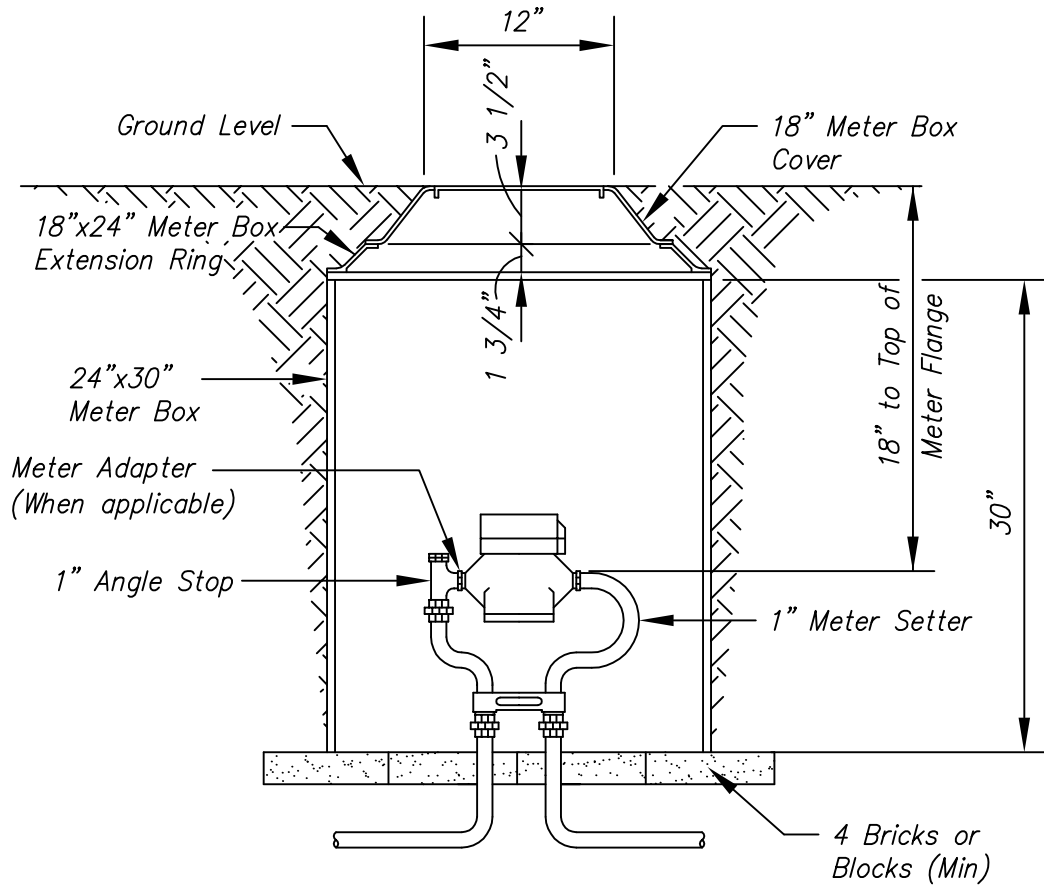
RESIDENTIAL
NEW METERS
Not to Scale 02029.DWG

Mar. 2016



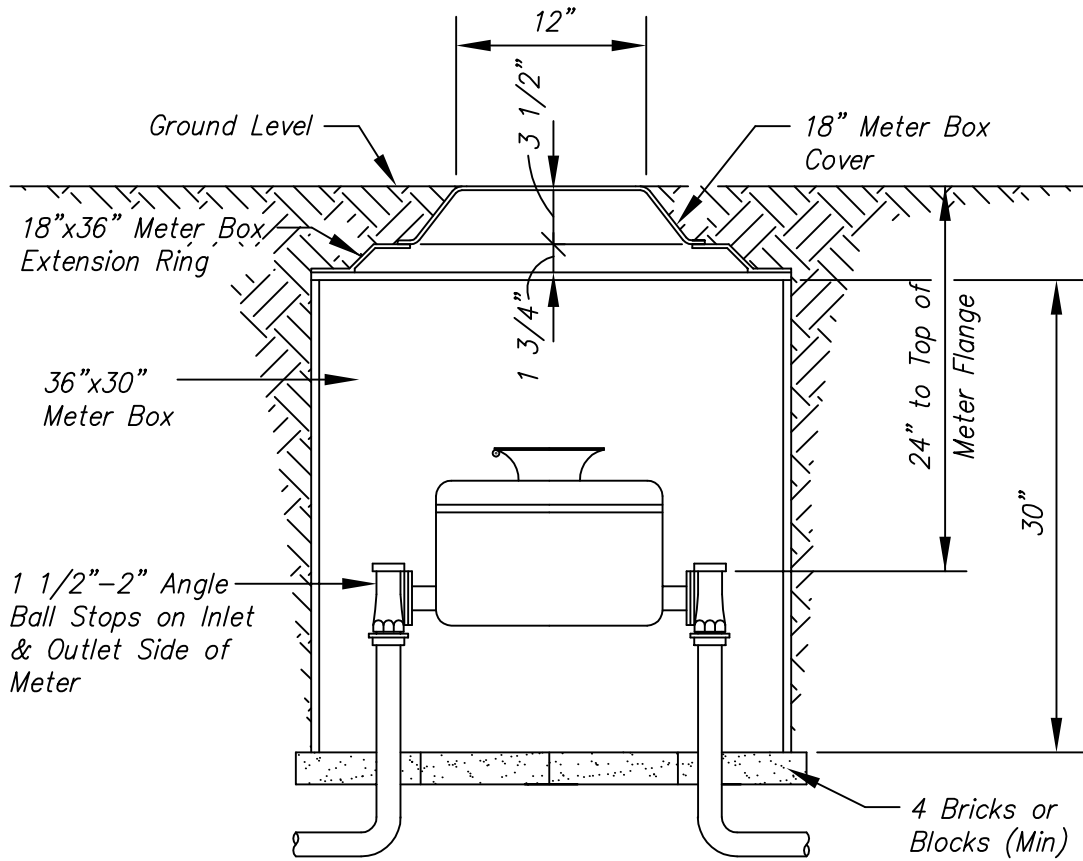
RESIDENTIAL
EXISTING METERS
Not to Scale 02030.DWG

Sept. 2014



5/8", 3/4", & 1" METERS
 Not to Scale 02018.DWG

Sept. 2014



NOTE:

End to End Space for 1 1/2" Meter: 13"

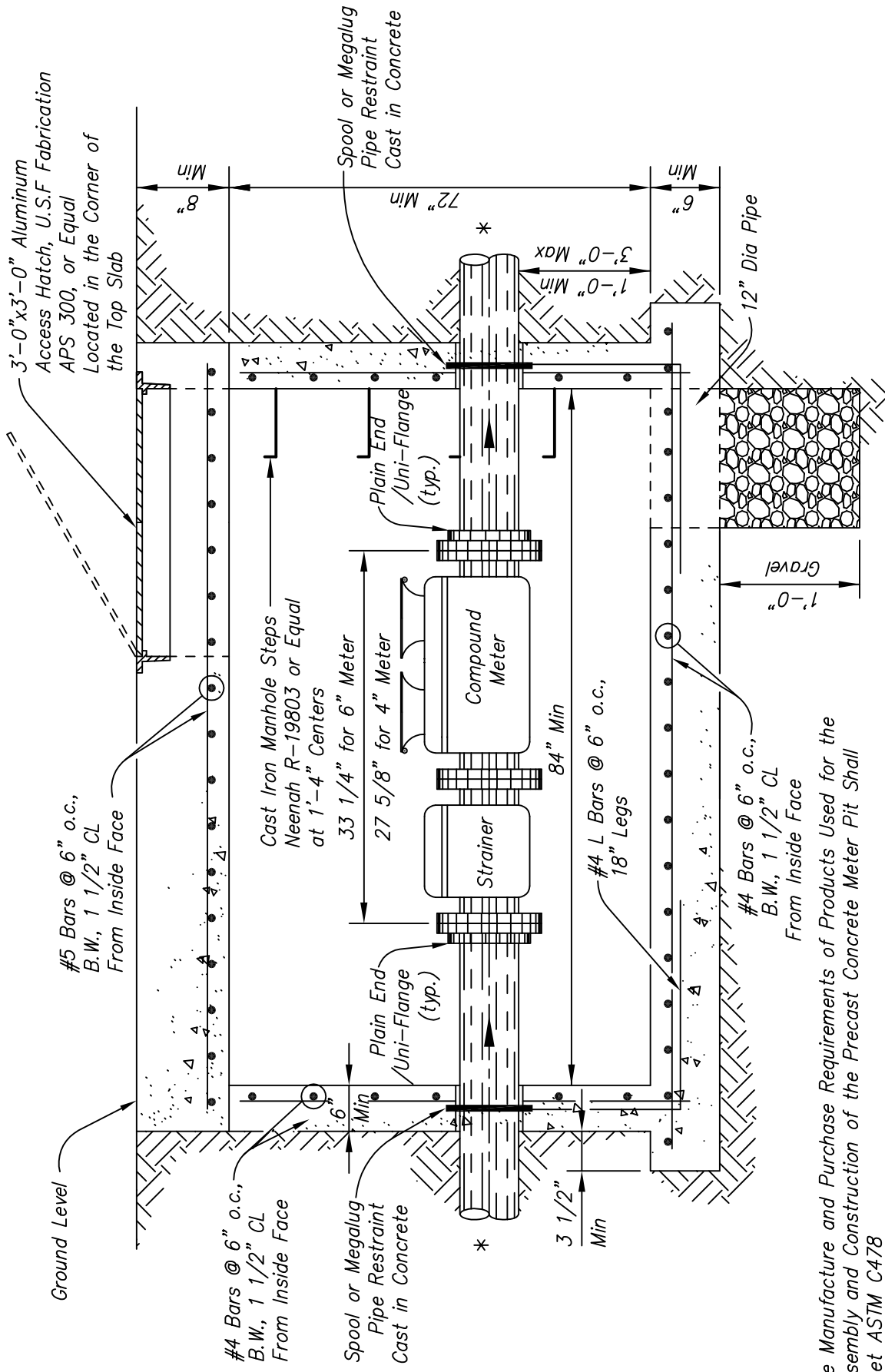
End to End Space for 2" Meter: 17"

1 1/2" & 2" METERS

Not to Scale

02020.DWG

Sept. 2014



3'-0" x 3'-0" Aluminum Access Hatch, U.S.F. Fabrication APS 300, or Equal Located in the Corner of the Top Slab

#5 Bars @ 6" o.c., B.W., 1 1/2" CL From Inside Face

#4 Bars @ 6" o.c., B.W., 1 1/2" CL From Inside Face

Cast Iron Manhole Steps Neenah R-19803 or Equal at 1'-4" Centers

33 1/4" for 6" Meter
27 5/8" for 4" Meter

Compound Meter

Strainer

#4 L Bars @ 6" o.c., 18" Legs

#4 Bars @ 6" o.c., B.W., 1 1/2" CL From Inside Face

Gravel 1'-0"

12" Dia Pipe

Spool or Megalug Pipe Restraint Cast in Concrete

Plain End /Uni-Flange (typ.)

Spool or Megalug Pipe Restraint Cast in Concrete

The Manufacture and Purchase Requirements of Products Used for the Assembly and Construction of the Precast Concrete Meter Pit Shall Meet ASTM C478

MINIMUM DIMENSIONS:
LENGTH INSIDE TO INSIDE OF WALLS = 84"
WIDTH INSIDE TO INSIDE OF WALLS = 48"
HEIGHT TOP OF FLOOR TO GROUND LINE = 80"

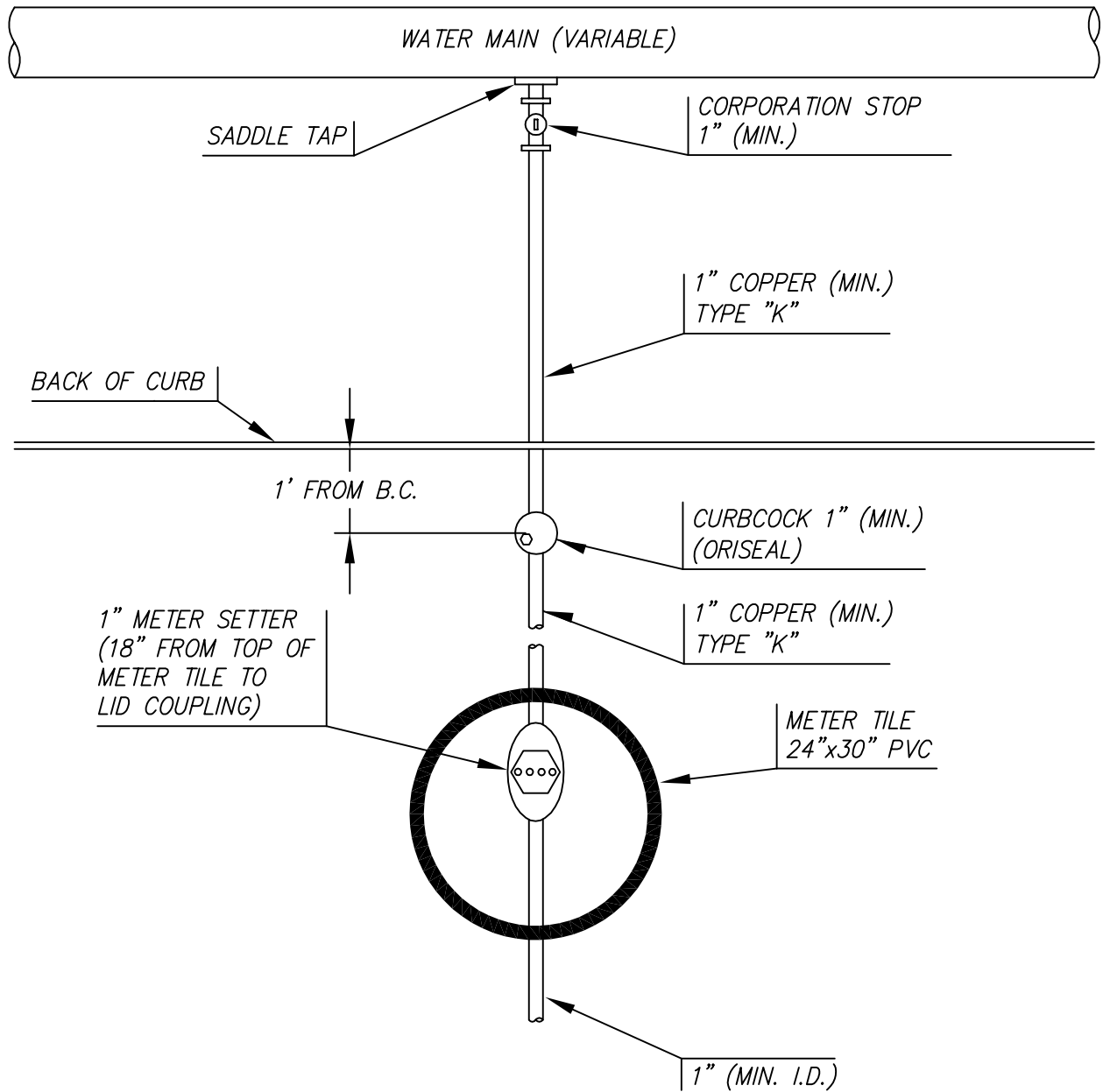
Install 4" or 6" AWWA Gate Valve/Box on Both Inlet and Outlet Side of Meter

COMMERCIAL / INDUSTRIAL
4" & 6" METER

02031.DWG

Not to Scale

Mar. 2016

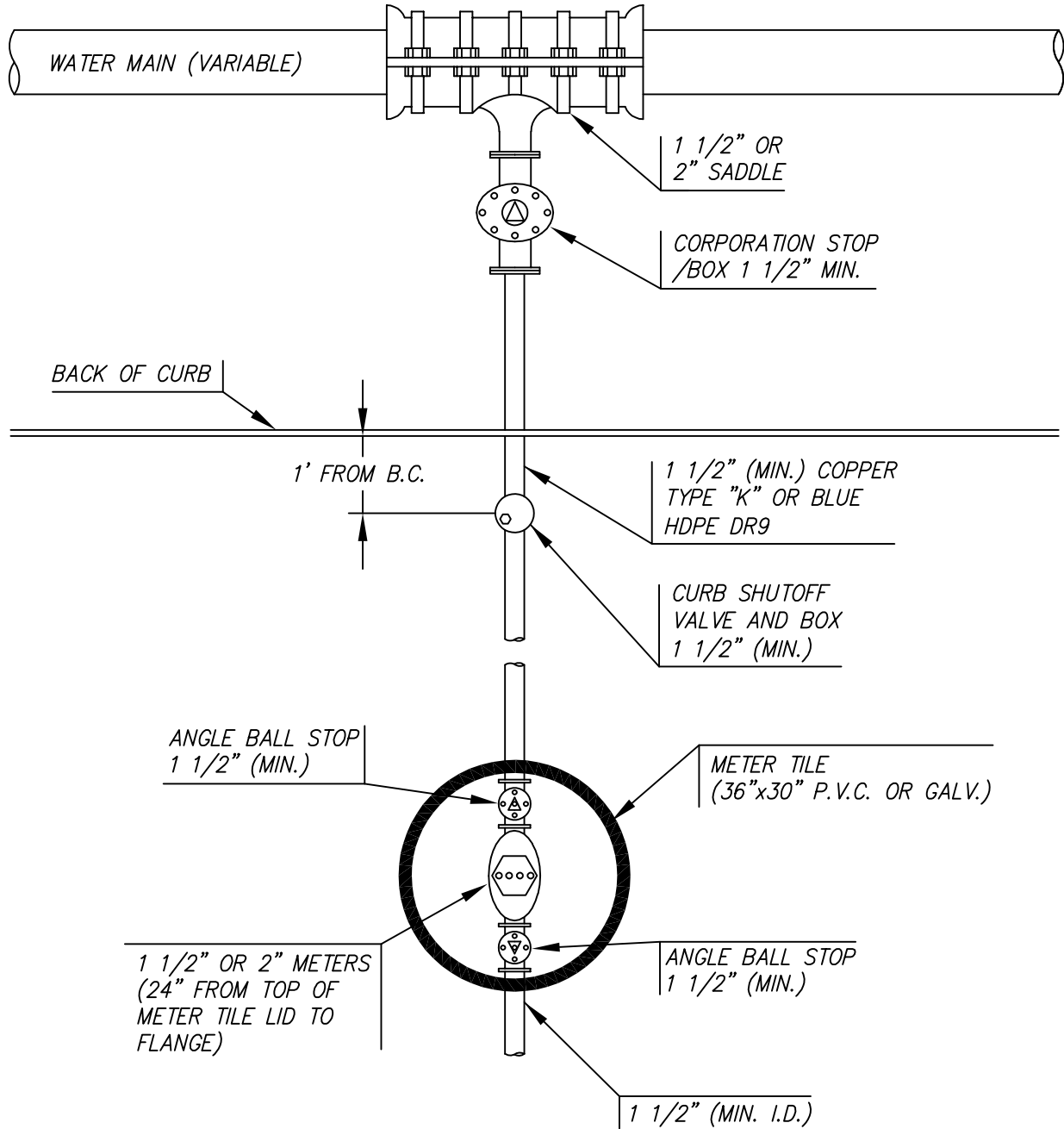


STANDARD FOR 5/8", 3/4", & 1" METER SETTINGS

Not to Scale

02003.DWG

Sept. 2014

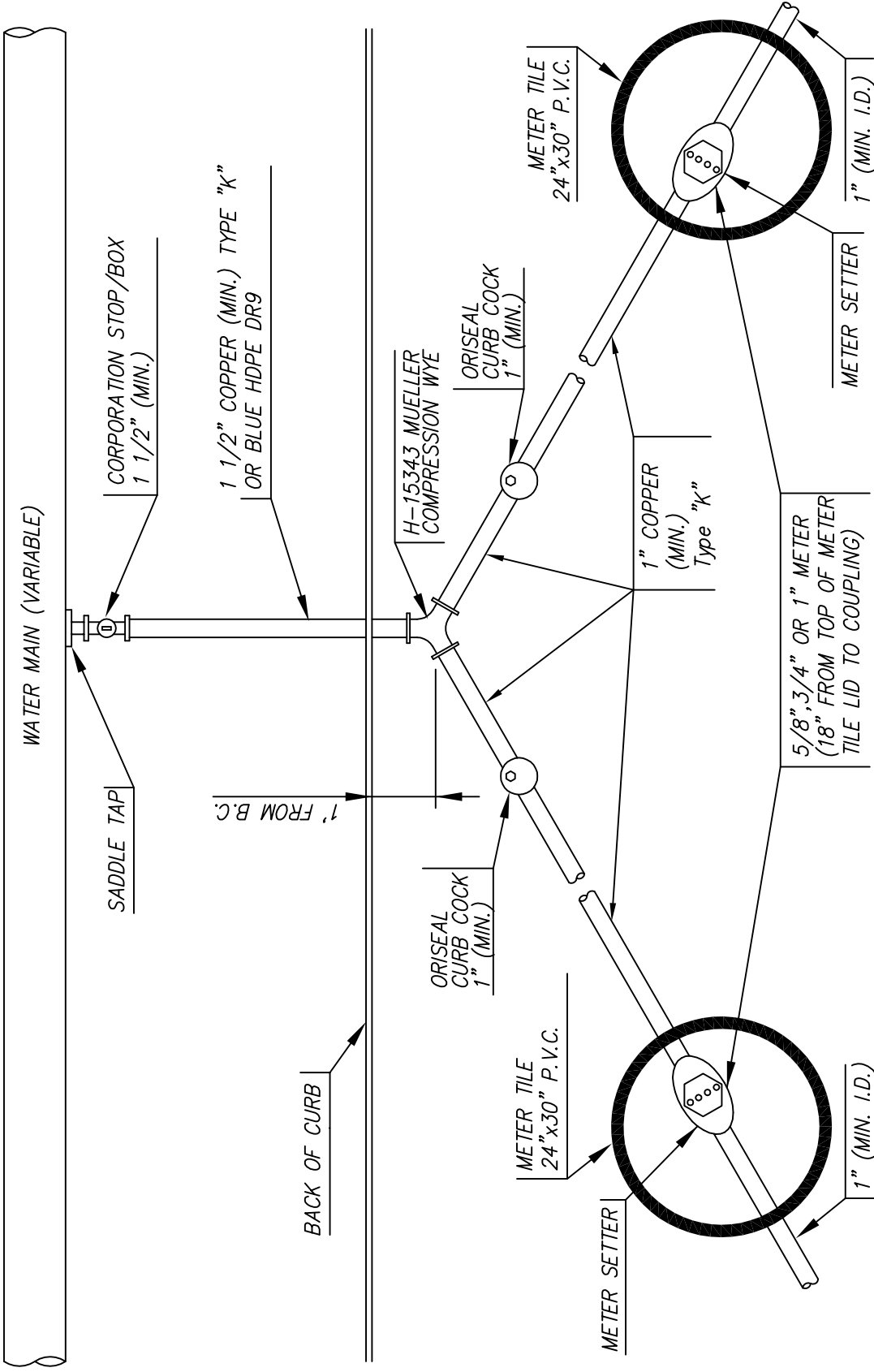


STANDARD FOR 1 1/2" & 2" METER SETTINGS

Not to Scale

02004.DWG

Mar. 2016



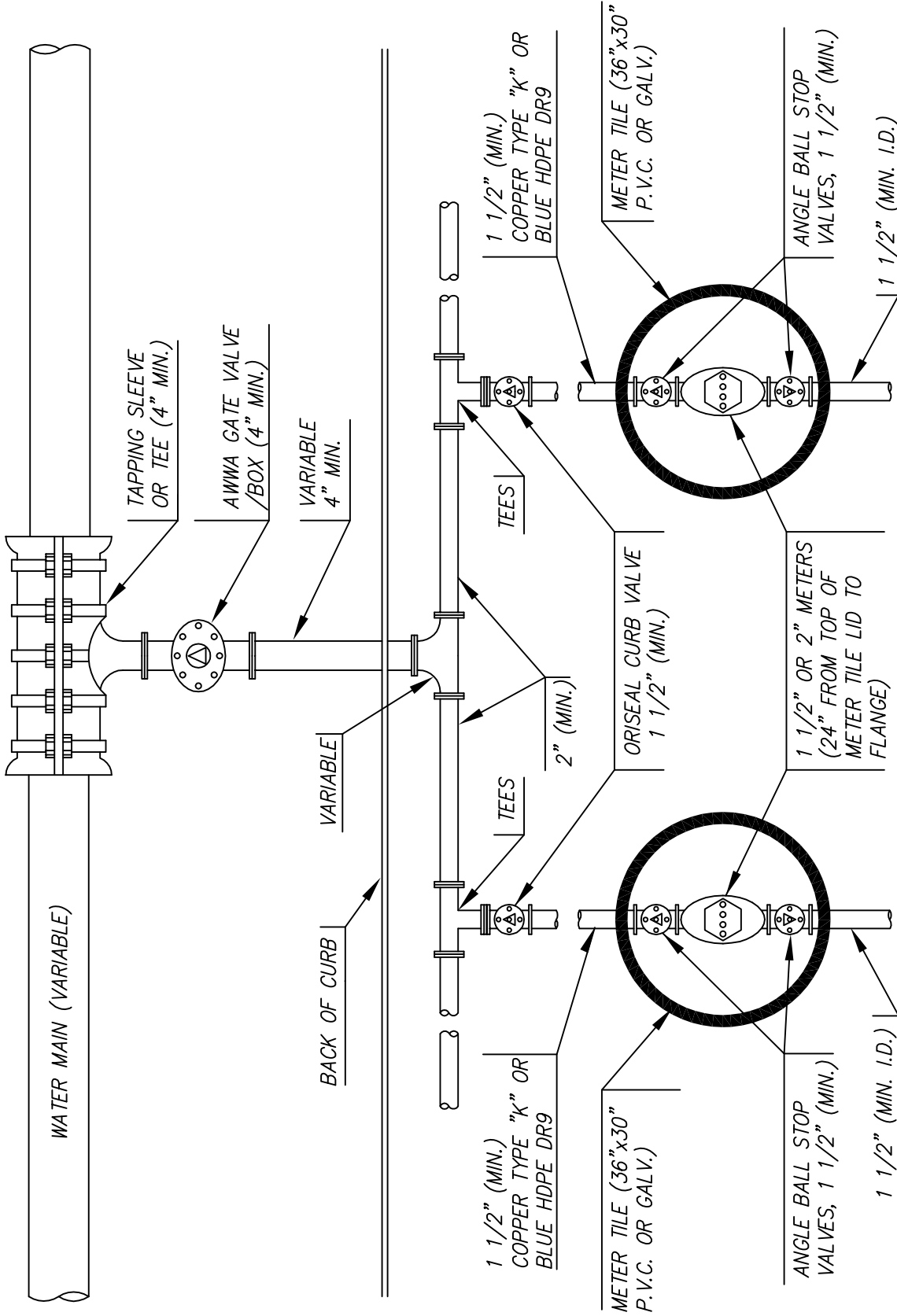
(8)

STANDARD FOR "Y" BRANCH 5/8", 3/4", & 1" MULTIPLE METER SETTINGS

Not to Scale

02006.DWG

Mar. 2016



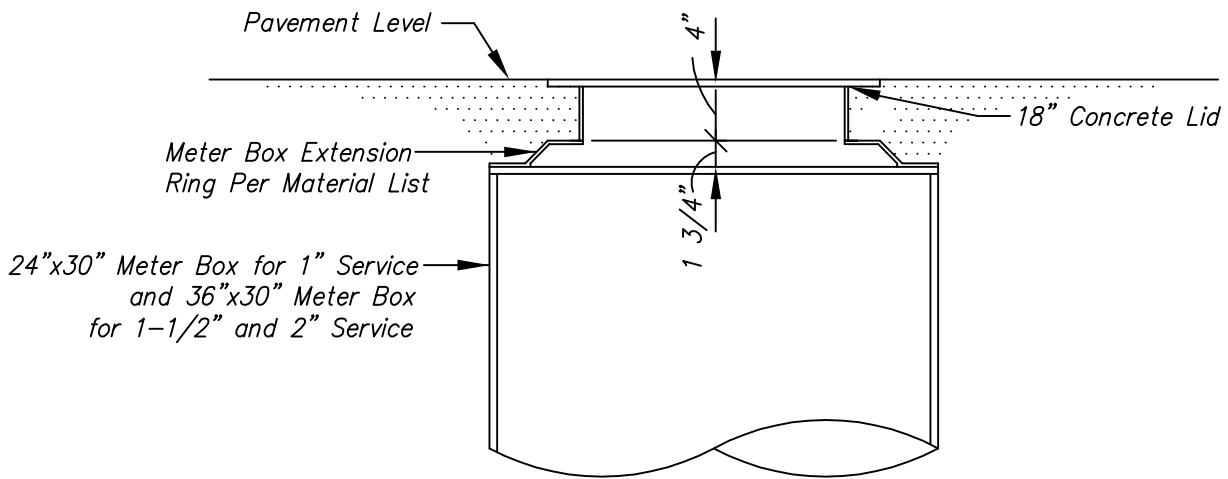
COMMERCIAL / INDUSTRIAL

STANDARD FOR 1 1/2" AND 2" MULTIPLE METER SETTINGS

Not to Scale

02005.DWG

Mar. 2016

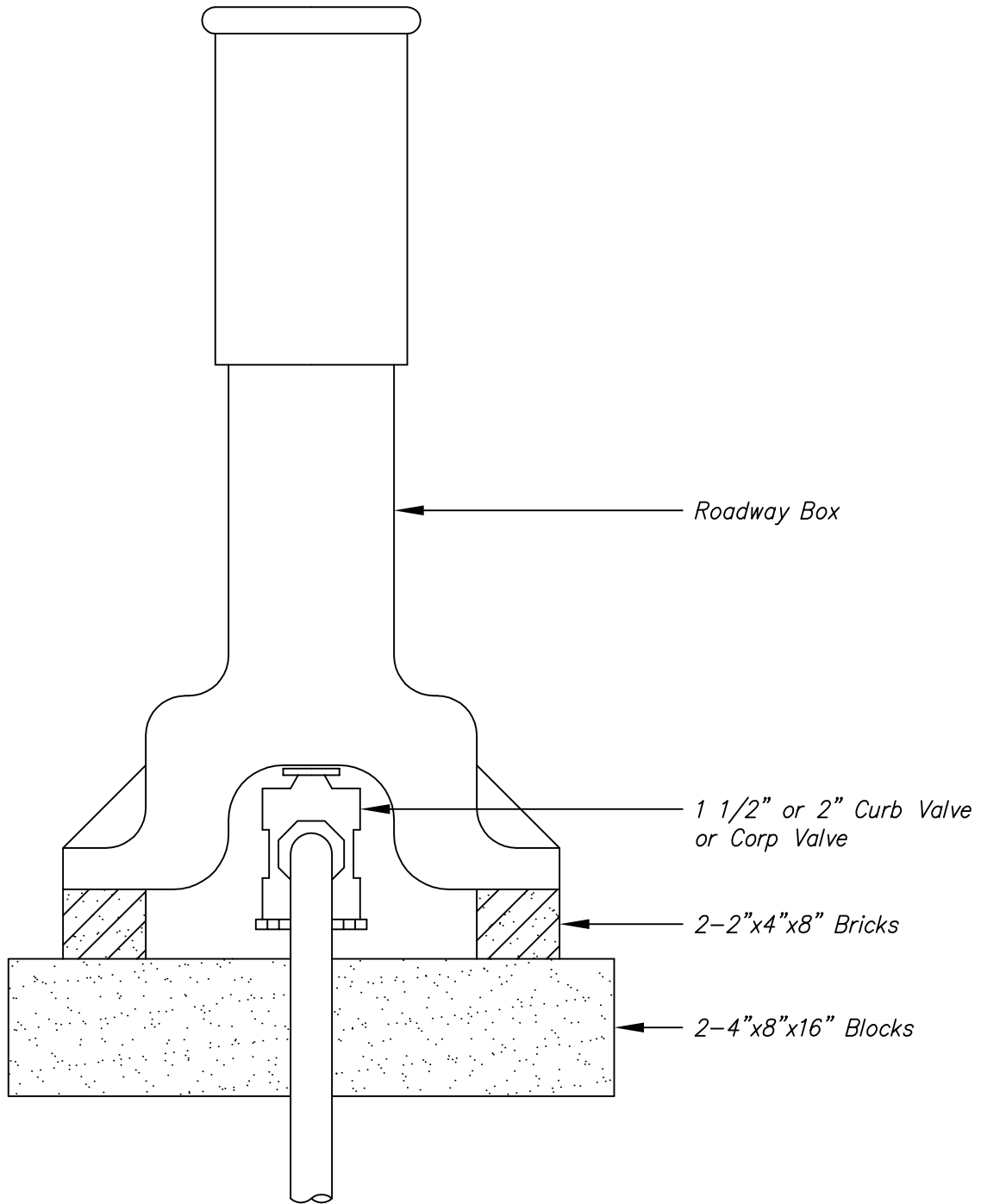


SET IN CONCRETE OR ASPHALT PAVED AREA

Not to Scale

02021.DWG

Mar. 2016

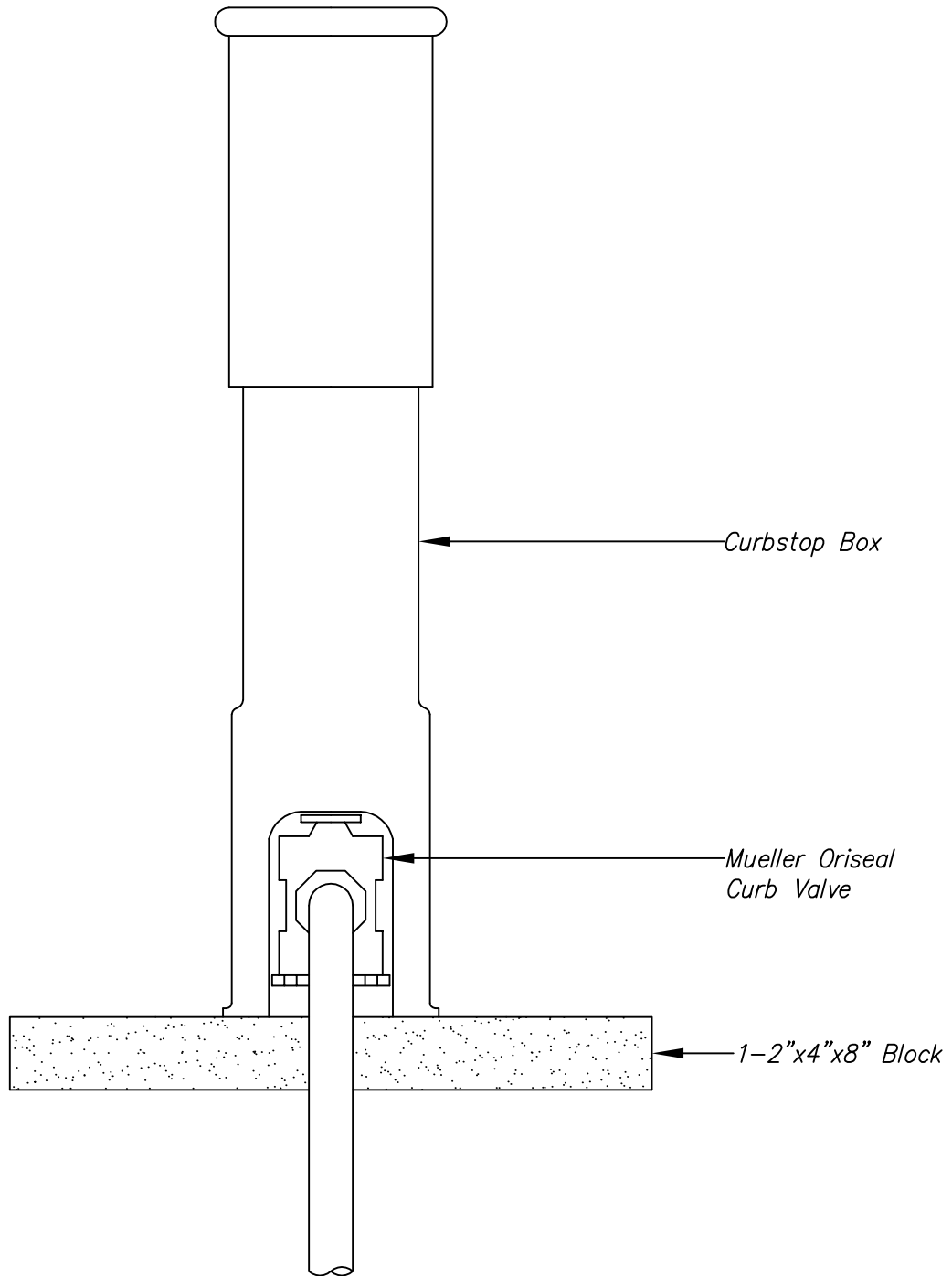


ROADWAY BOX

Not to Scale

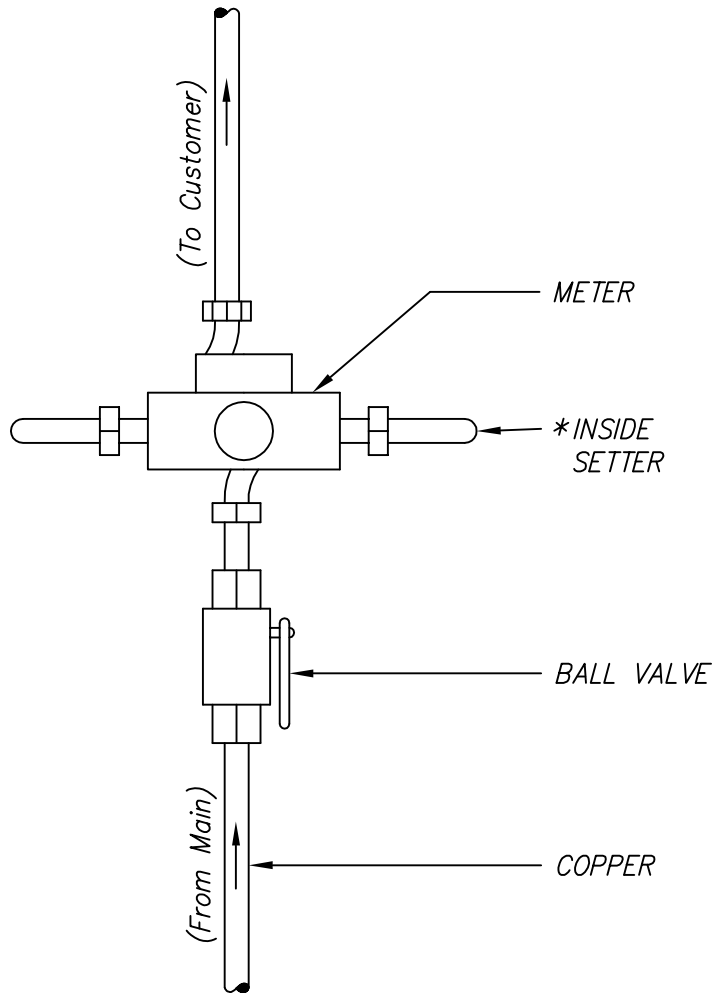
02022.DWG

Sept. 2014



CURB BOX
Not to Scale 02034.DWG

Sept. 2014

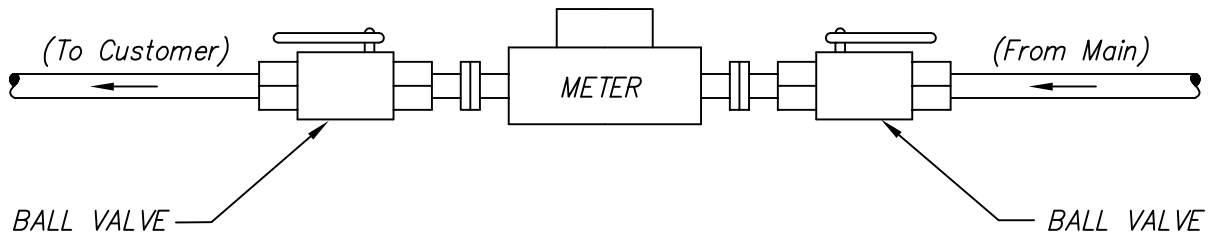


**SEE PAGE 2 & 3 OF APPROVED MATERIALS LIST.*

APPROVAL REQUIRED BY UTILITIES DIRECTOR

INSIDE SETTERS – 5/8", 3/4" & 1" METER
Not to Scale 02023.DWG

Sept. 2014



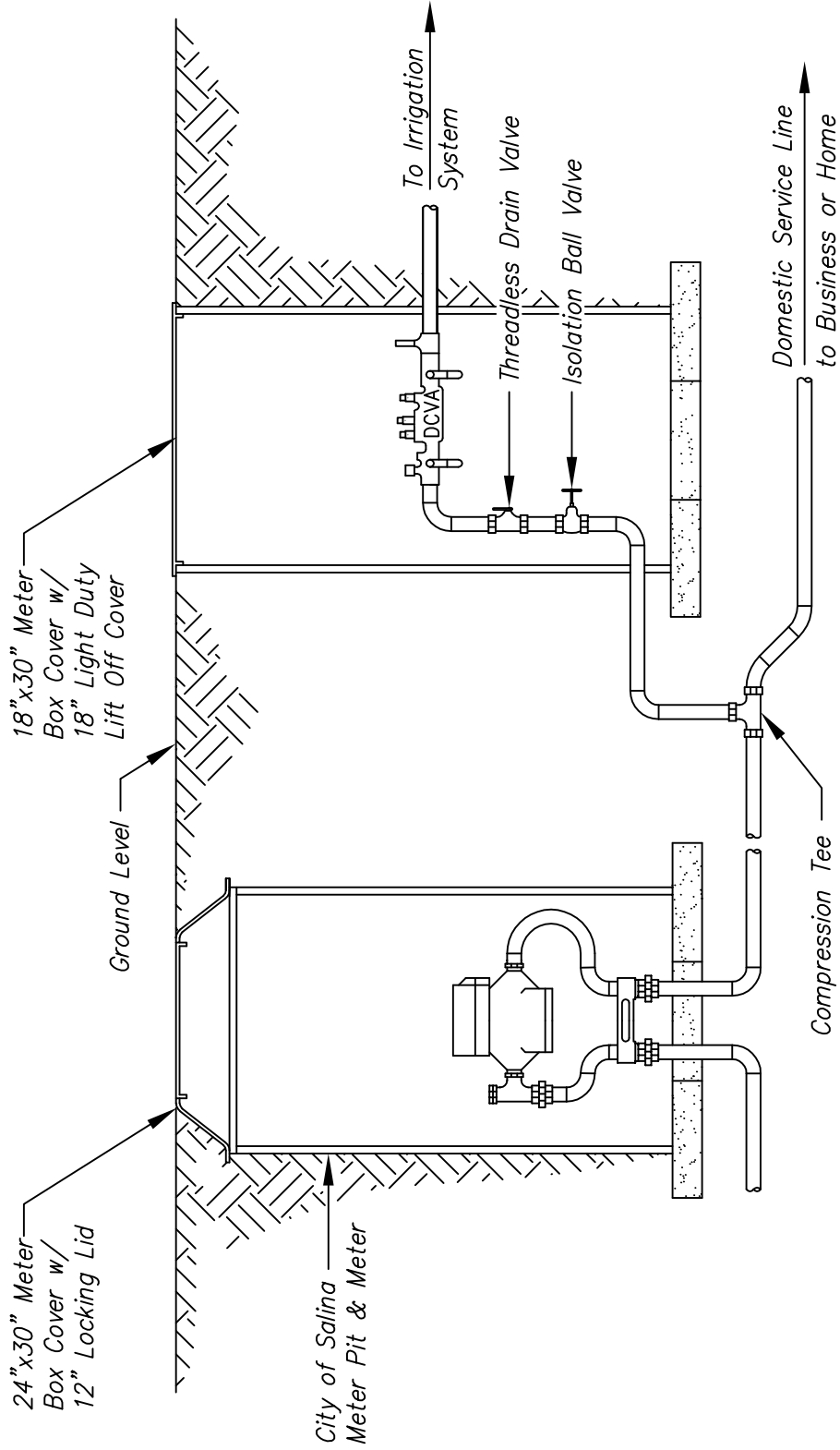
NOTE:
 Only Brass Meter Flanges shall be used in the Fabrication of Meter Sets for 1 1/2" & 2" Meters.

NOTE:
 Provide Adequate Weight Support for 1 1/2" & 2" Meters.

APPROVAL REQUIRED BY UTILITIES DIRECTOR

COMMERCIAL / INDUSTRIAL
 INSIDE SETTERS — 1 1/2" & 2" METER
 Not to Scale 02024.DWG

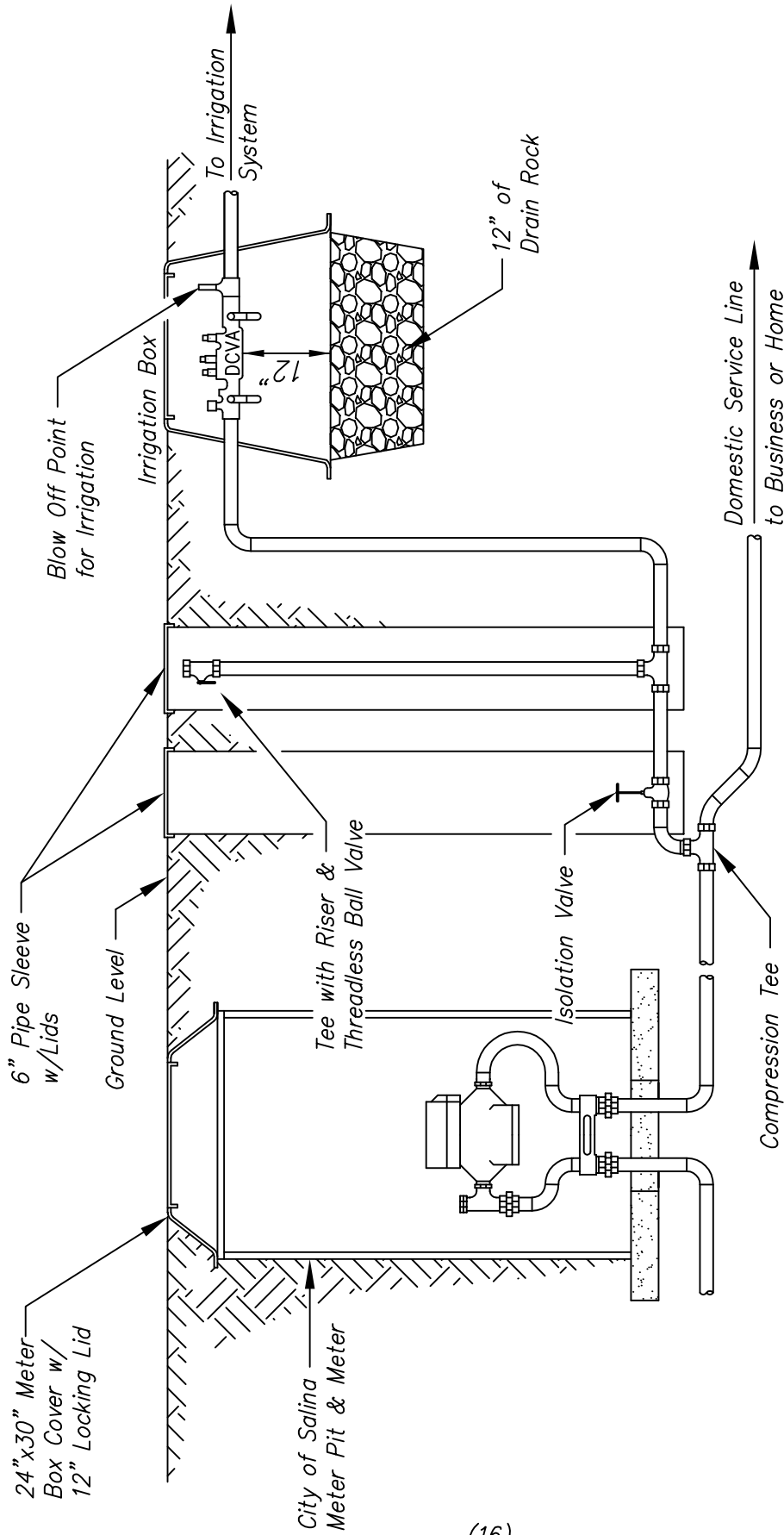
Sept. 2014



RECOMMENDED
IRRIGATION DETAILS — OPTION 1

02032.DWG

Not to Scale



RECOMMENDED
IRRIGATION DETAILS — OPTION 2

02033.DWG

Not to Scale